

# Industrial 8-Port Gigabit+2\*SFP Unmanaged Switch(12-48V)

DC 12-48V, One-key Fast Ring, IEEE802.3af/at

# 700582

**VandalVeto®**

# 700582



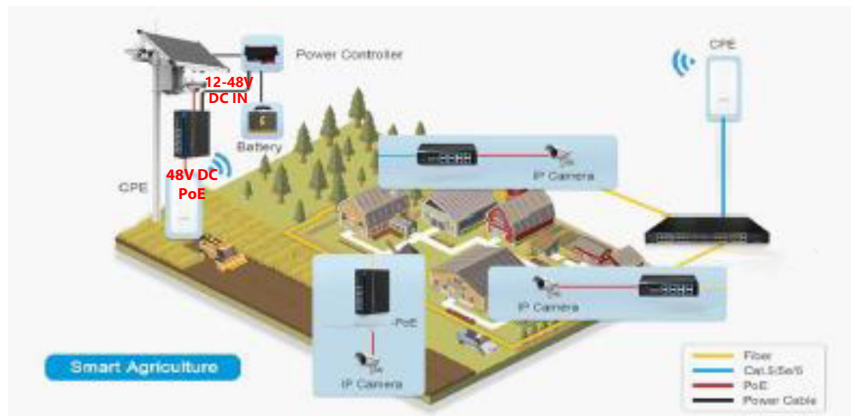
- Providing 8\*10/100/1000Base-T Ethernet PoE ports and 2\*1000Base-X SFP slots.
- Support one-key fast ring, with self-healing time in 20ms.
- Support wide voltage input range from DC 12V to DC 48V, output PoE power is 80W(12V), 120W(24V), 240W(48V).
- Support IEEE802.3af/at, max PoE power output for single port is up to 30W
- Support one-key broadcast storm prevention (BSP), preventing crash of the switches.
- Support PoE watchdog, auto reboot the connected failure PD devices.
- Support one channel relay alarm output.
- Fanless, wave metal shell, low power consumption design.
- Support installation of DIN rail and wall mounted, adapting to a variety of environments.



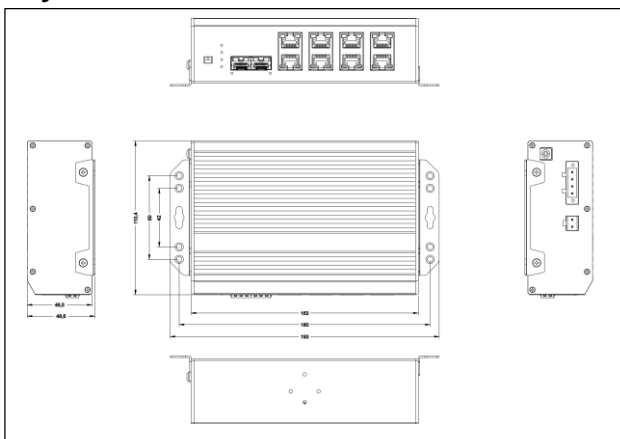
## Introduction

700582 ,full gigabit one-key ring industrial unmanaged switch (DC 12-48V), provides 8\*10/100/1000Base-T Ethernet PoE port and 2\*1000Base-X SFP slots. It supports auto speed reduction on Ethernet ports, the transmission distance is up to 200 meters max. What' s more, the switch supports one-key fast ring, one-key broadcast storm prevention (BSP), IEEE802.3af/at and PoE watchdog. With industrial components, fanless and low power consumption design, the series meet the requirement of industrial project, and are widely used in Smart power grid, rail transportation, smart city, safe city, new energy, aerospace, smart manufacturing, military and other industrial fields.

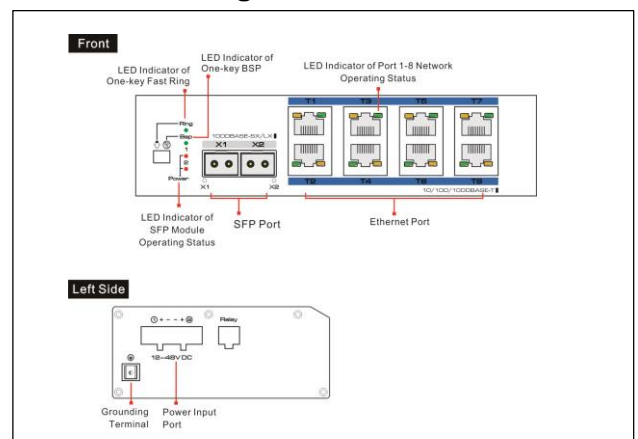
## Application



## Physical Features



## Interface drawing



## Hardware Specification

Model		700582
<b>Physical Port</b>		
Downlink Ports	8*10/100/1000Base-T (PoE)	
Uplink Ports	2*1000 Base-X SFP Slots	
Alarm Output	One channel relay alarm output, 1A@DC 9V, 2 cores, 5.08mm terminal	
DIP Switch	1.Enable / Disable fast ring & PoE watchdog, with self-healing time less than 20ms. 2. Enable / Disable broadcast storm prevention.	
<b>Switching Feature</b>		
Standard and Protocols	IEEE802.3 , IEEE802.3u, IEEE802.3ab, IEEE802.3Z, IEEE802.3X, IEEE 802.1D, IEEE 802.1af/at	
Switching Capacity	20Gbps	
Packet Forwarding Rate	14.9Mpps	
Buffer	2Mbit	
MAC Address Table	16K	
Jumbo Frame	10K bytes	
LED Indicator	Port: 1*Link/Act (Green) & 1*PoE Status(Orange) 1*One-key Fast Ring (Green), 1*One-key BSP (Green), 2*PWR (Red)	
<b>PoE</b>		
PoE Line Pair	1/2(+), 3/6(-)	
PoE Output Power	Output PoE power for single port ≤30W, output PoE power is 80W(12V), 120W(24V), 240W(48V).	
<b>Power Supply</b>		
Input Terminal	4 PIN / 5.08mm	
Power Supply	DC 12-48V DIN-rail industrial power supply (Optional)	
Power Consumption	≤12W (Not include PoE)	
<b>Environment</b>		
Surge Immunity	6KV Execute: IEC61000-4-5	
ESD Immunity	6KV: Contact discharge 8KV: Air discharge Execute: IEC61000-4-2	
Operating Temperature	-40-75°C	
Storage Temperature	-40-85°C	
Operating Humidity	5%-95% (Non-condensing)	
<b>Physical Parameter</b>		
Material	Aluminium alloy, IP40	
Dimension (L×W×H)	159mm×110mm×46.5mm	
Installation	DIN rail / Wall mounted	
Weight	942g	
Certification	CE, FCC	

The information in this document is subject to change without notice.

Every effort has been made in the preparation of this document to ensure accuracy of the contents, but all statements, information, and recommendations in this document do not constitute a warranty of any kind, express or implied.

**VandaVeto®**

5Korazin st., Givatayim 53583 Israel

Tel: 972-3-5713004 Fax: 972-3-5711450

www.egber.com egber@egber.com