



Special features

- Diameter of 19mm, 22 mm or 38mm to accommodate and mount in different panels.
- Specially designed to prevent any interference from other infra-red.
- Infrared proximity has a total lifespan of 100,000 hours.
- Standalone use. Optional panel available to select.

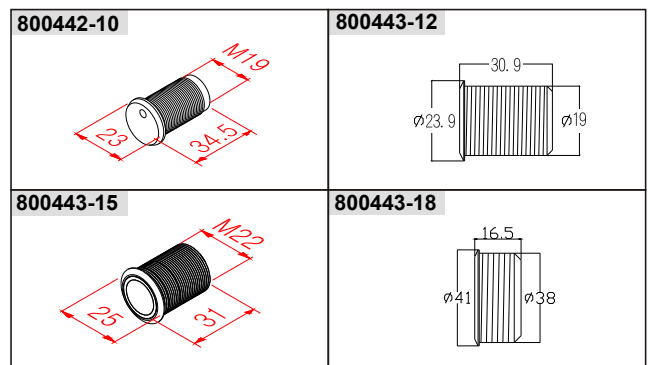
- Activate without pressing to prevent any disease contagion. It is suitable for access control system that widely used in public areas such as hospitals or restaurants. It is also can be used as auto-control detection.
- Built-in microcontroller with power on self testing function. Adjustable proximity distance and door open delay time.

Specification

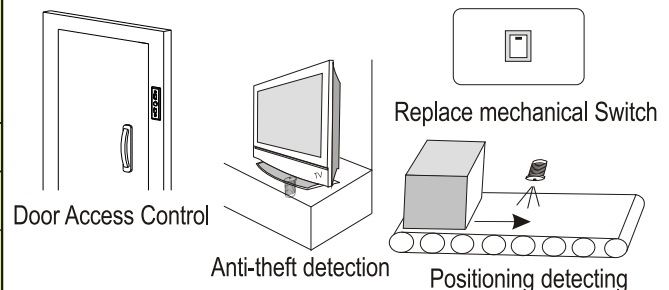
	800442-10	800443-12	800443-15	800443-18
Dimensions	ø19mm	ø19mm	ø22 mm	ø38 mm
Maximum current (DC24V)	30mA	30mA	35mA	45mA
Weight	10g	21g	24.5g	50g
Case	Polycarbonate fireproof	Polycarbonate fireproof + Stainless Steel		
Power input	DC 12~24V ±10%			
Contact load	0.5A@AC120V / 1A@DC24V			
Range	3~12cm (±25%)			
Output State	Trigger state (0.5~20sec) or toggle mode output N.C. & N.O. Output			
Output delay time	0.5~20 Seconds, set 20 sec as toggle mode			
Water resistant IP	IP65			
Life Time	Relay mechanical lifespan:1000,000 Infrared sensor:100,000 hours			
State Indicator	Red and Green Double-colored LED light			
Operation temperature	-10°C ~ 70 °C			

Dimensions

Unit: mm



Application



Instruction

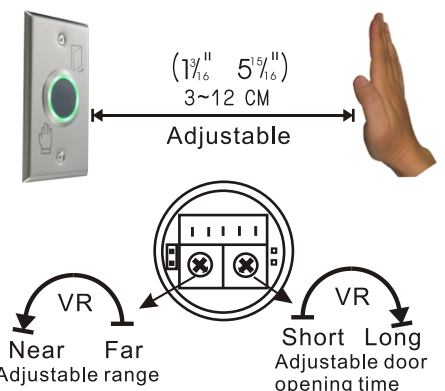
12/15/18 (default)

Standby:Red

Action:Green

10 Standby:Red

Action:Green



P	Door control relay. (N.O.)
BL	Door control relay. (COM)
G	Door control relay. (N.C.)
BR	GND
R	DC+12V~24V

Series Model

- 800442-10: ø19mm Polycarbonate fireproof
- 800443-12: ø19mm #304 Stainless Steel case
- 800443-15: ø22mm #304 Stainless Steel case
- 800443-18: ø38mm #304 Stainless Steel case

Single switch	Package		
	Dimensions: 115 × 39 × 4.5mm	Dimensions: 115 × 70 × 4.5mm	Dimensions: 86 × 86 × 4.5mm
10	800442 (20)	800442 (60)	800442 (80)
12	800443 (22)	800443 (62)	800443 (82)
15	800443 (25)	800443 (65)	800443 (85)
18		800443 (68)	800443 (88)