

700566



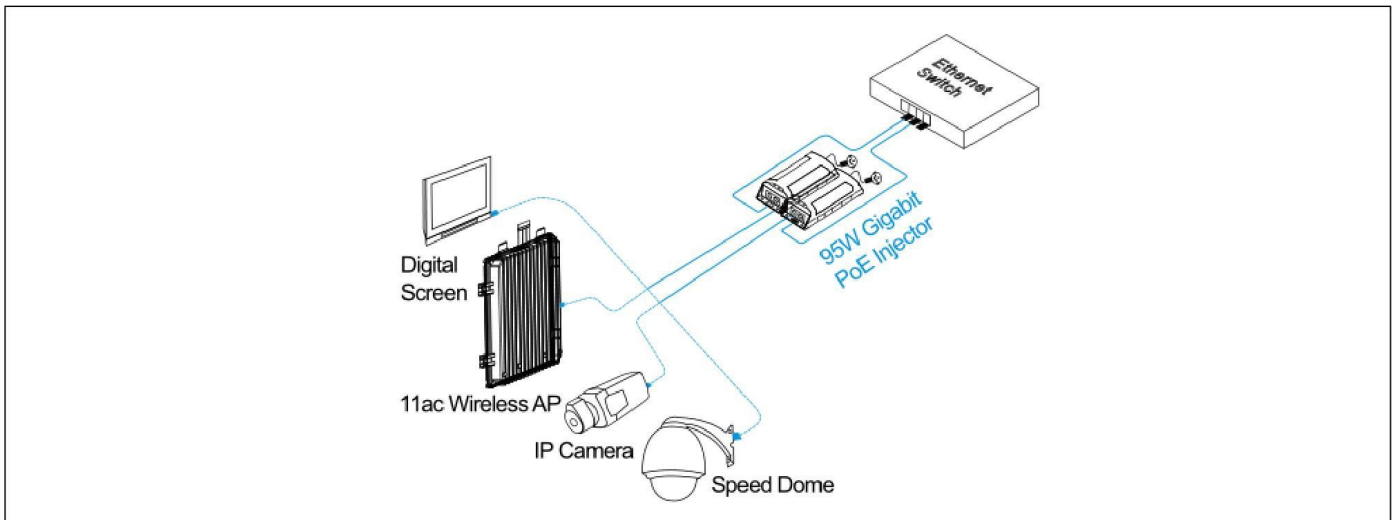
- PoE+ + power supply standard; Output power consumption can be up to 95W;
- Ultra PoE, IEEE 802.3af/at
- IEEE 802.3af/at/bt, IEEE 802.3 10Base-T/100Base-TX/IEEE802.3ab 1000Base-T
- Working Temperature: -10°C ~ 40°C
- 4KV lightning protection; 8KV ESD protection
- No fan, no noise, dust-proof



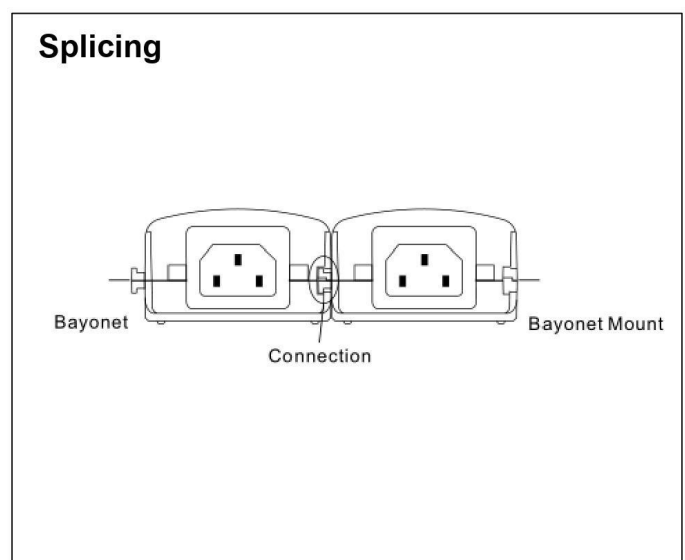
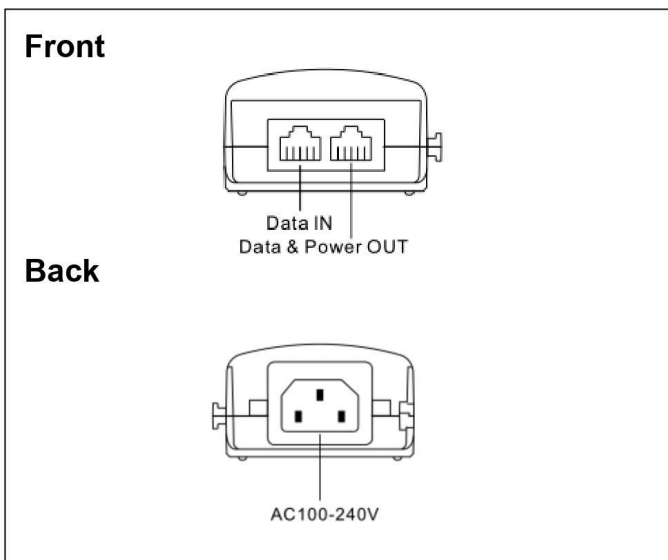
## Introduction

This is a single-port PoE injector with one Ethernet port, one PoE output port, and one AC power input port. It is compatible with mid-span and end-span PoE power method, the output power consumption can be up to 95W; It features:10/100/1000Mbps network port,100m transmission distance, 4KV lightning protection. it's an excellent choice for power supply and network transmission on PTZ speed dome, 11ac wireless AP, digital display system.

## Application



## Board Diagram



## Specification

Item	Description	
Interface	Input Voltage	100 to 240 VAC
	Data Input	1 x RJ45
	PoE Output	1 x RJ45
PoE	PoE Power Supply Type	Mid-span & End-span
	PoE Power Output	DC 56V, Max 95W
	Output Ripple	<5%
	Power Pin Assignment	1/2(-); 3/6(+); 4/5(+); 7/8(-)
	Communication Port	1 x RJ45
Ethernet Port	Transmission Rate	10/100/1000Mbps
	Transmission Medium	Cat5e/ 6 Cable
	Distance	100m (Max.)
Protection	Surge Protection	2KV (Differential Mode), 4KV (Common Mode)
	ESD	Direct discharge: 6KV, Air discharge: 10KV
Environment	Working Temperature	-10°C to +40°C
	Storage Temperature	-30°C to +70°C
	Humidity	5% to 85% (Non-condensing)
Mechanics	Dimension (LxWxH)	169mm x 96.5mm x 42.5mm
	Material	ABS Plastics
	Color	Black
	Weight	769G

## Package List

Designation	Quantity
PoE Injector	1
AC Power Line	1
User Manual	1

## Related Products

Designation	Model
15.4W Gigabit PoE Injector	700550
30W Gigabit PoE Injector	700552
60W Gigabit PoE Injector	700554