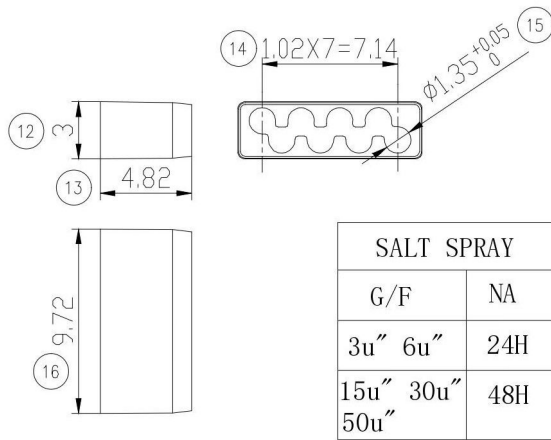
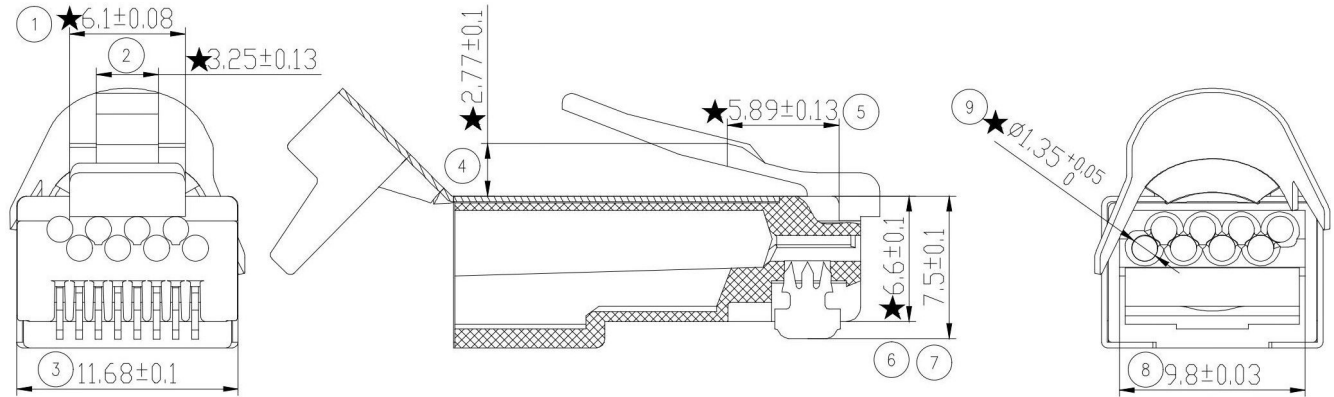
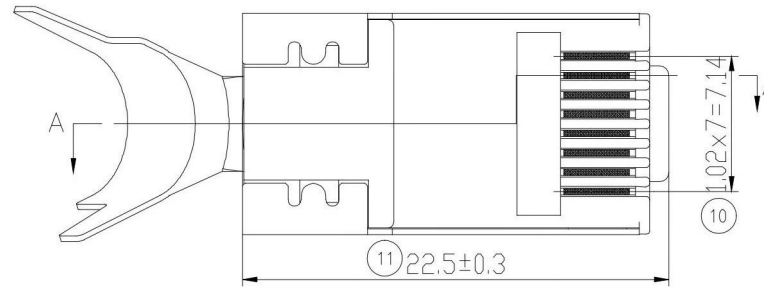


VandalVeto®



SALT SPRAY	
G/F	NA
3u" 6u"	24H
15u" 30u" 50u"	48H



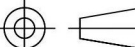


NOTE:

1. Insulation Resistance: 1000 Megohms min;
2. Withstand Voltage: 1000V, AC/minte;
3. Durability: 750 mating circles min;

MATERIAL:

2. Housing Material: Polycarbonate (PC), UL 94V-2;
3. Contact Mype: 3 prongs for SOLID wire
4. Gold Plating: 50 μ" (1.27 μm)
5. Contact Materal: Phosphor Bronze;
6. Shield Material: Brass with cickel plating

 VandalVeto®  אגבר אלקטרוניקה 2000 בע"מ • רח' כורז'ין 5, גבעתיים 53583 • טל: 03-5713004 • פקס: 03-5711450 • www.egber.com • egber@egber.com							
Material					Item No.	601048	
Angles Projection		Size	Scale	Unit	Part Name	FTP CAT7 8P8C Modular Plug	
		A4	X:1	mm	ERP Part No.	קונקטור זכר שחיל מסוכך לכבל CAT7	
Sheet	1 OF 1	Version: A/0					
Drawn	Ding jian bo	2015.12.28	Tolerance				
Checked	Ge pei jun	2015.12.28	0.00-20.00	±0.10			
Approved	Wang wei jun	2015.12.28	20.00-50.00	±0.15			
			50.00-100.00	±0.20			
			100.00-	±0.25			
			Angle	±30'			