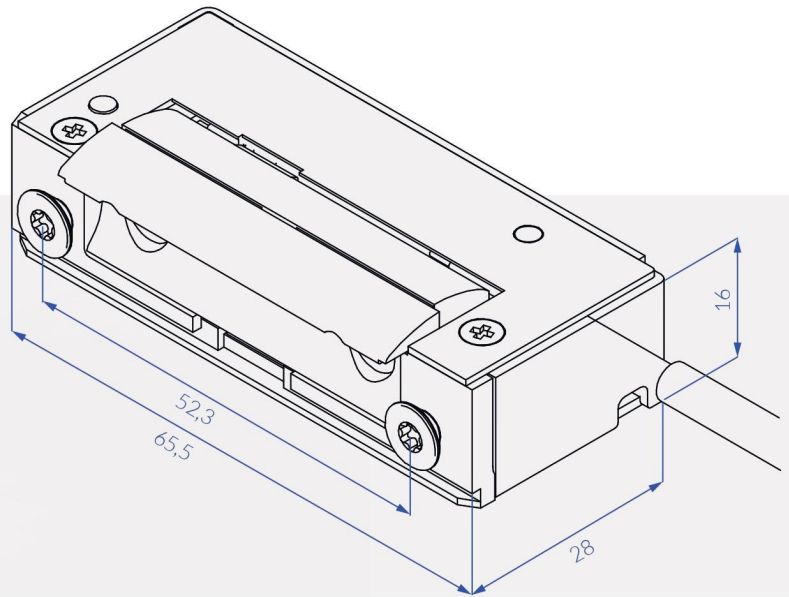




**OPENERS & CLOSERS®**  
Door locking solutions



## 5UW4X10

### Technical characteristics

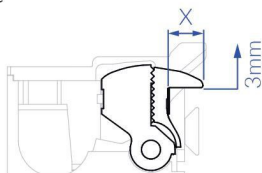
Function	Fail-safe
Break-in resistance (keeper's pressure)	4.800 N
Endurance rating (cycles)	200.000 cycles
Temperature	-25 a +70°C
Sound	60 dB
Keepers opening	Symmetrical
Fire resistance	-
IP protection(EN 60529:2018)	IP68
Conformity to	EN14846:2008

3 C 3 0 0 H 0 0 0

Width	16 mm
Depth	28 mm
Height	65,5 mm

### Keeper characteristics

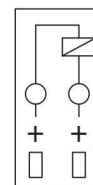
Fixed/adjustable	Adjustable
Radial keeper	Yes
Keeper's strength	30 N
Depth (X)	6 mm
Adjustment	3 mm



### Electrical characteristics

Voltage AC	9-24 V
Voltage DC	9-24 V
Continuous duty AC	<1 min
Continuous duty DC	9-14 V ED 100%
Transient Voltage Suppressor (TVS)	Yes
Rated resistance	43 Ω
Maximum side-load on AC	24 V - 200 N
Maximum side-load on DC (stabilized)	12 V - 50 N
Current consumption AC (start)	-
Current consumption AC (maintenance)	0,15A ... 9 V 0,20 A ... 12 V 0,39 A ... 24 V
Current consumption DC (start)	-
Current consumption DC (maintenance)	0,21 A ... 9 V 0,28 A ... 12 V 0,56 A ... 24 V

### Electric connection scheme



**VandalVeto®**

**אגבר אלקטרוניקה 2000 בע"מ**



• רח' כורזין 5, גבעתיים 53583 • טל: 03-5713004 • פקס: 03-5711450  
• www.egber.com • egber@egber.com