

# EASY POE TRANSMISSION – Passive

ITEM NO: 800915



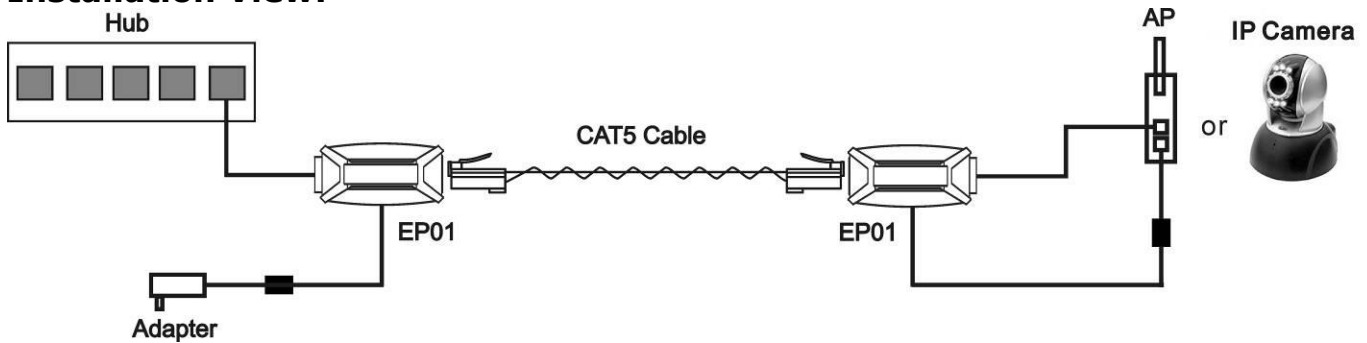
The 800915 Easy Passive POE (Power Over Ethernet), uses unused pairs of 100baseT network cable to transmit power to remote. It is a low costs and easy solution of providing power for network products which do not support Power Over Ethernet. Such as IP cameras, access points, routers, modems, switchers, embedded computers or other network devices.

Over a short distance, its usually possible to use the power adapter of the powered device such as wireless AP, IP camera, etc. The working distance normally around 30 – 40 meters. The real distance depends on the power supply, cable type and powered device.

## 800915 Easy POE – Passive

- Send power to remote over unused pairs of 100baseT network cable.
- Including 2 units/one pair, do not include power adapter.
- Working distance depends on the power supply, cable type, and powered device.

### Installation View:



**Note: The power voltage must go through a regulator (ref. page 2 optional model) if the output voltage is higher than the equipment voltage.**

Pin	Color	RJ45 PLUG	RJ45 JACK	Color	Pin
1	W-O	Data Pair 1	Data Pair 1	W-O	1
2	O	Data Pair 1	Data Pair 1	O	2
3	W-G	Data Pair 2	Data Pair 2	W-G	3
4	BL	N.C.	<b>Power +</b>	BL	4
5	W-BL	N.C.	<b>Power +</b>	W-BL	5
6	G	Data Pair 2	Data Pair 2	G	6
7	W-BR	N.C.	<b>POWER GND</b>	W-BR	7
8	BR	N.C.	<b>POWER GND</b>	BR	8

**Specification:**

<b>ITEM NO.</b>	<b>800915</b>
Ethernet Connector	RJ45
Ethernet Data Rate	10/100Mbps
Storage Temperature	- 20 to 80 degree C
Operation Temperature	0 to 55 degree C
Humidity (non-condensing)	0 ~ 95%
DIMENSIONS W x H x D mm	53.3 x 25 x 20.7
Weight (g)	30



VandalVeto®

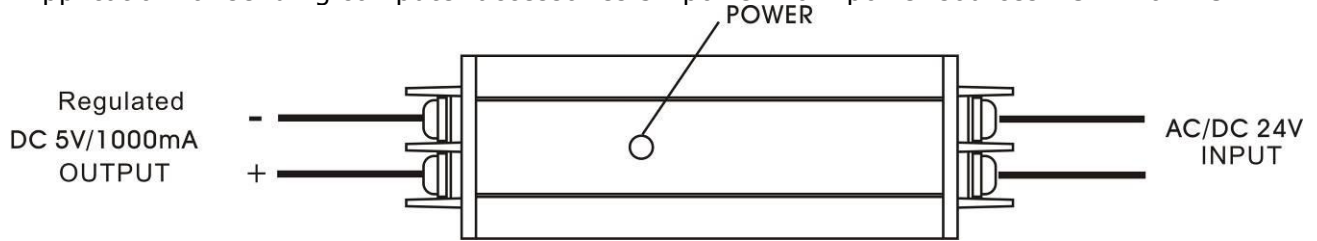
אגבר אלקטרוניקה 2000 בע"מ 

• רח' כורזין 5, גבעתיים 53583 • טל: 03-5713004 • פקס: 03-5711450  
• [www.egber.com](http://www.egber.com) • [egber@egber.com](mailto:egber@egber.com)

**Option for 800915:**

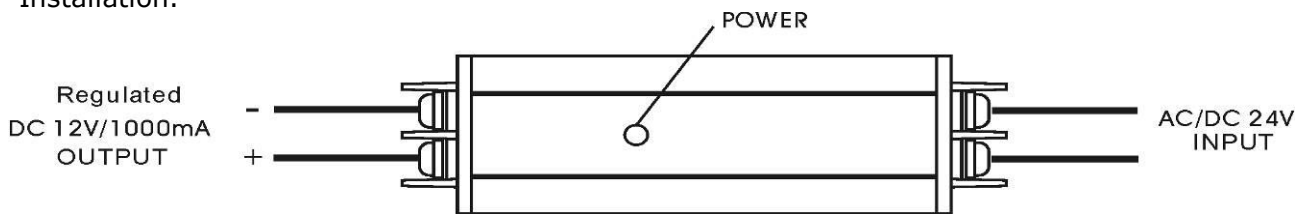
**800605 AC/DC 5V Power Converter 1000mA Max**

- AC/DC to DC5V power converter.
- Input power: AC20 – AC28V; DC12-30V.
- Output Power: DC5V regulated.
- Application for sending computer accessories 5V power from power sources AC24V or DC12V.



**800600 AC/DC to DC12V Power Converter 2000mA Max**

- AC/DC to DC12V power converter
- Input power: AC20 – AC28V; DC12-30V.
- Output Power: DC12V regulated.
- For DC type camera or video power sources convert using AC24V for professional CCTV Industry Installation.



**Specification:**

ITEM NO.	800600	800605
INPUT POWER	AC20~28V; DC16~30V	AC8 ~ 26V ; DC8 ~ 28V
OUTPUT POWER	DC12V	DC5V
OUTPUT CURRENT	1000mA	
MATERIAL	Metal	
DIMENSIONS	mm	102.8 x 25.4 x 25.4
WEIGHTS	g	80
		78

RoHS CE FC

Rev. B



VandalVeto®

אגבר אלקטרוניקה 2000 בע"מ

● רח' כורזין 5, גבעתיים 53583 • טל: 03-5713004 • פקס: 03-5711450  
 ● www.egber.com • egber@egber.com