

# Coaxial Cabling : HD-TVI/AHD/HDCVI/ CVBS Video Distributor

ITEM NO.: 800750 HD-TVI/AHD/HDCVI/ CVBS 1 input 8 output Video Distributor



800750 is 1 input 8 output HD-TVI/AHD/HDCVI/ CVBS Video distributor. They are suitable for far distance, different floor in a building or different electrical field.

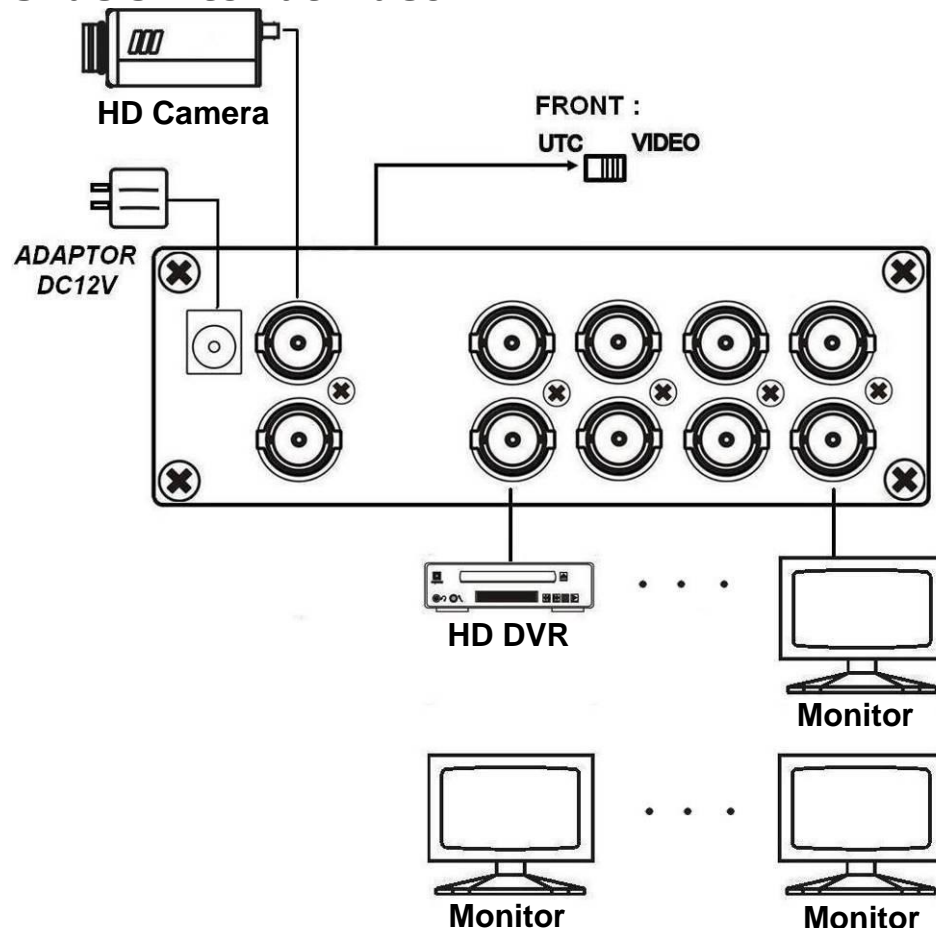
## 800750 HD-TVI/AHD/HDCVI/ CVBS 1 In 8 Out Video Distributor

### Features:

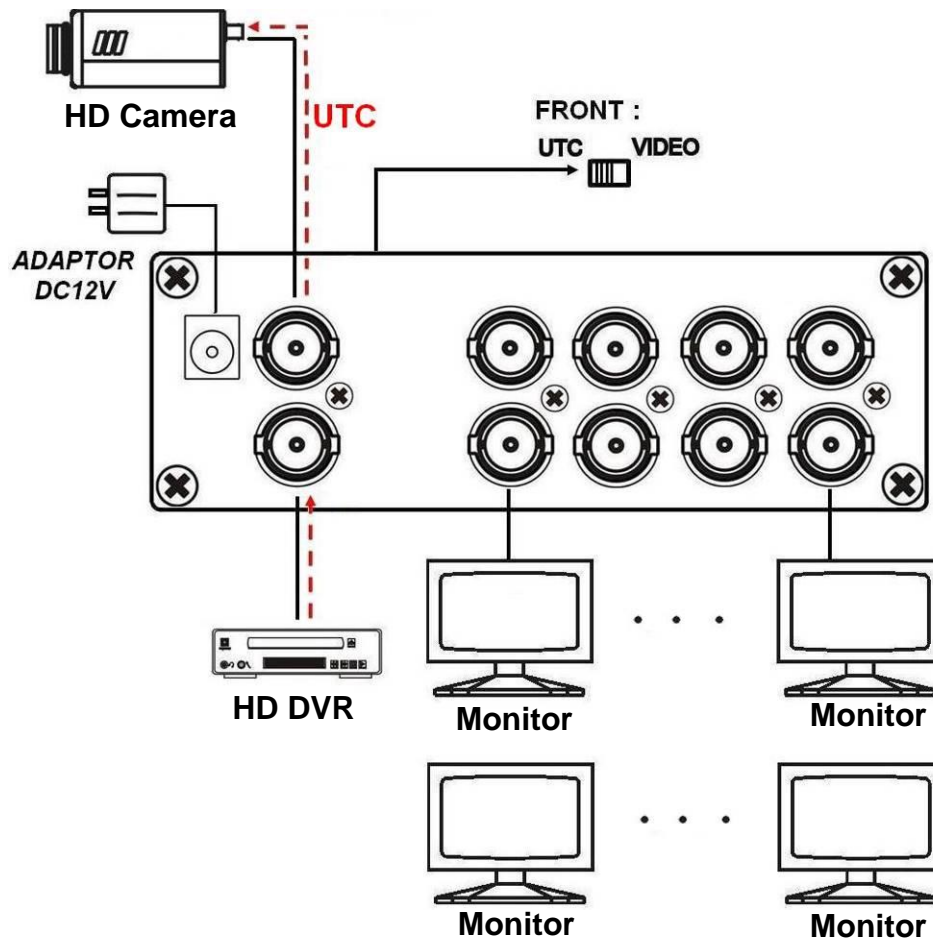
- 1 Video input to 8 video output.
- Support HD-TVI, AHD, HDCVI, 960H, NTSC, PAL video signal.
- Support high resolution up to 4K/1080P without any video loss.
- Support HD video + data control mode (Up the coax).
- Built in TVS protection.

### Installation View:

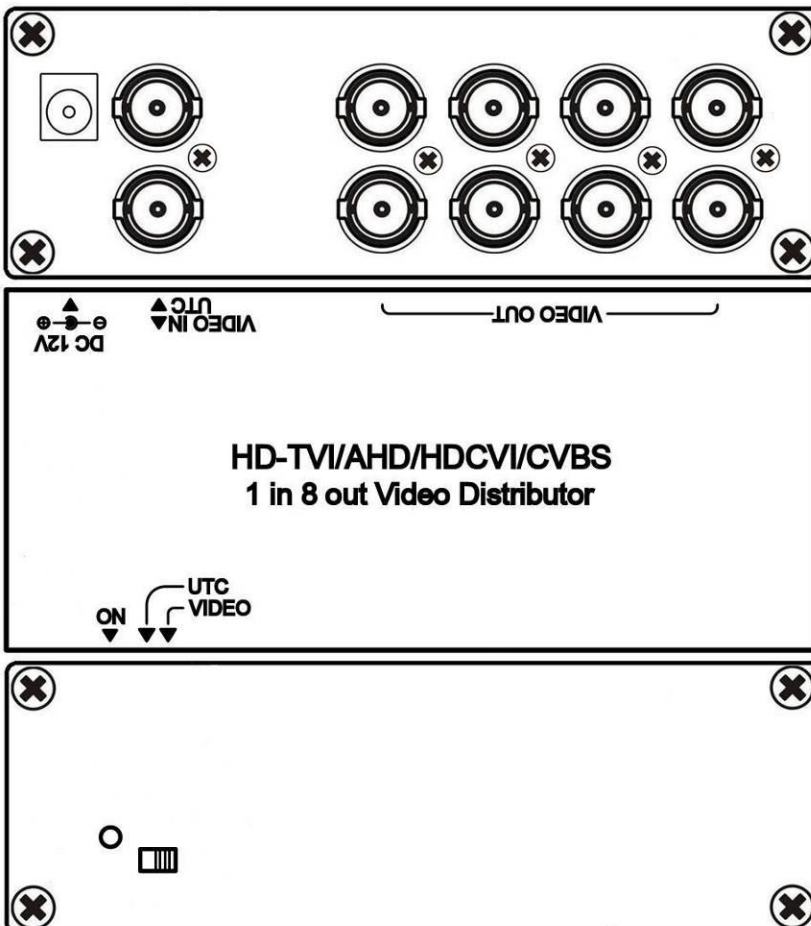
#### Slide switch at video:



## Slide switch at UTC:



## Panel View:



## Cable & Transmission Distance :

Link cable recommend use high quality 75ohm coaxial RG59/RG6U cable. The transmission distance will be affected by different quality of Camera, DVR and BNC connector, cable, installation...etc.

## LED Indication:

GREEN	
ON	Power ON
OFF	Power OFF

## Dip Switch:

VIDEO	Video Distribution mode: not support UTC output.
UTC	UTC Transmission mode: support Video & UTC control data output.

## UTC Instruction :

1. Under UTC Video+Data mode, the UTC output must connect with HD-DVR. Not allow to connect with CVBS Camera/DVR to avoid picture over brightness.
2. Under video distribution mode, no video on UTC output port.

## Specifications:

ITEM NO.	800750
Video Input Channel	BNC x 1, 75Ω, 1Vpp
Video Output Channel	BNC x 8, 75Ω, 1Vpp
UTC Control Channel	BNC x 1, 75Ω, 1Vpp
Video Bandwidth	150MHz -3dB
Power Supply	DC12V 500mA
Power Consumption	180mA (Max)
Temperature	Operation: 0 to 55°C, Storage: -20 to 85°C, Humidity: up to 95%
Dimensions mm	133 x 75 x 44
Weight g	430

RoHS CE FC

Rev. A 2020/03/06



VandalVeto®

אגבר אלקטרוניקה 2000 בע"מ



• רח' כורזין 5, גבעתיים 53583 • טל: 03-5713004 • פקס: 03-5711450  
• www.egber.com • egber@egber.com