

VandalVeto®

VVFCam 300

Standalone HD IP Camera with Long Range Facial Recognition

VVFCam 300 represents the first step in the true convergence of HD IP video surveillance, IP access control, Time & Attendance with embedded long distance facial recognition, and a Public View Monitor incorporated into a single affordable stand-alone product that doesn't require a computer or bandwidth.



Face Recognition



Surveillance



Access Control



Time & Attendance

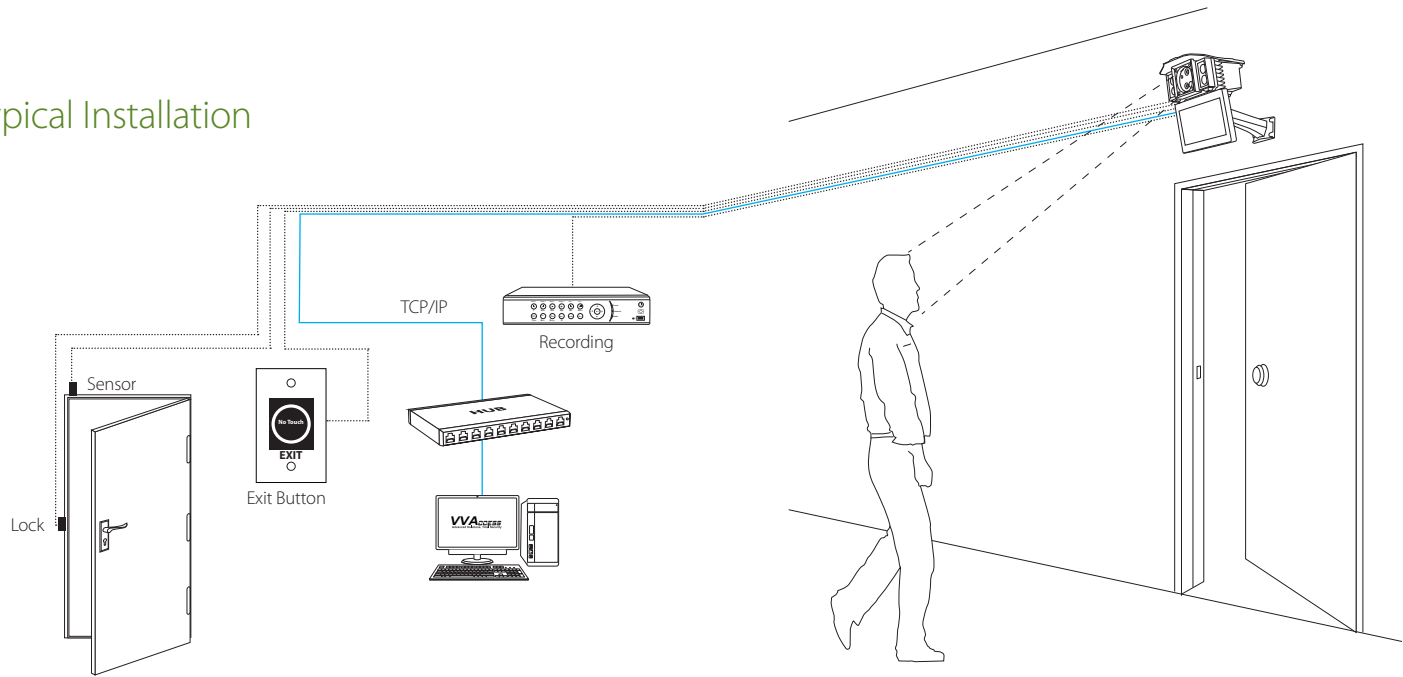
Product features include:

- Long Range embedded Facial recognition technology with range up to 12 feet.
- 400 face capacity, 100K transaction logs
- Fast throughput with 1 to 2 seconds verification time
- Dual HD CMOS cameras with audio output and alarm output
- 4 IR illuminators deliver consistent lighting environment
- 7" LCD display incorporated with HD IP camera
- Access control ready with relays for electric locks and inputs for REX and door contact
- HD IP Video recording with support up to 32GB Card or external NVR.
- Simple installation, enrollment and configuration process.

The **VVFCam 300** is a game changer as it defines an exciting new security product category and approach to blending technology, software and hardware. It can affordably address business and security applications for system integrators of all sizes and skill levels.

The **VVFCam 300** delivers sophisticated integration of technology with simple, intuitive deployment and configuration tools that will enable a wide range of applications in many market segments including financial services, hospitality, data centers, gaming, government, property management and retail.

Typical Installation



Technical Specifications

Camera Performance

Image Sensor: 1/3" megapixel WDR progressive CMOS
Image Resolution: 1280 x 720
Minimum Illumination: 1 LUX (IR off), 0 LUX (IR on)
Day & Night: Automatic IR-cut filter
SNR: ≥60db (AGC Off, Weight On)
Lens: 6mm fixed lens
IR Distance: 5~7m; 60° projection angle

Face Recognition

Face Capacity: 400
Verification Speed: ≤1s
Template Capacity: 12 template/Face
Log Capacity: 100,000
Camera: Dual Camera
Display: 7 inch LCD
Audio Output: 1 channel line output

Video

OS: Embedded Linux
Video Compression: H.264 main profile level 3
Video Resolution: *Main stream:* 1280 x 720
Secondary stream: 352 x 288
Code Stream: 32K~10240kbps
Video Frame Rate: NTSC: 1~30; PAL: 1~25
Image settings: Brightness, contrast, saturation, color, chroma, gain, flip vertically / horizontally

Working Conditions

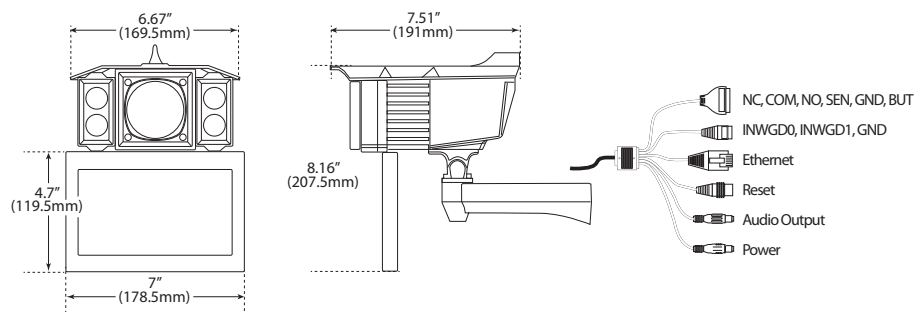
Power Supply: 12V DC, 1.5A
Power Consumption: 13W
Working Temperature: 14° F ~ 122° F
 (-10° C ~ 50° C)

Security

Security: Multi-level users access with password protection

Communication and Controls

Access Control: Simple access control function (door sensor, exit button, 3rd party electric lock, weigand I/O)
Communication: TCP/IP
Motion Detection: Independent detection areas configurable
Storage: Support TF card, up to 32GB
Network Interface: 10Base-T / 100Base-TX Ethernet interface
Supported Protocol: TCP/IP, HTTP, UDP, ARP, SMTP, FTP, DHCP, DNS, DDNS, NTP, UPNP, RTSP/RTCP/RTP, ONVIF



VandalVeto®

Korazin st., Givatayim (53583), Israel
 Tel: +972-3-5713004 Fax: +972-3-5711450

egber@egber.com www.vandalveto.com



Design and Specifications subject to change without notice