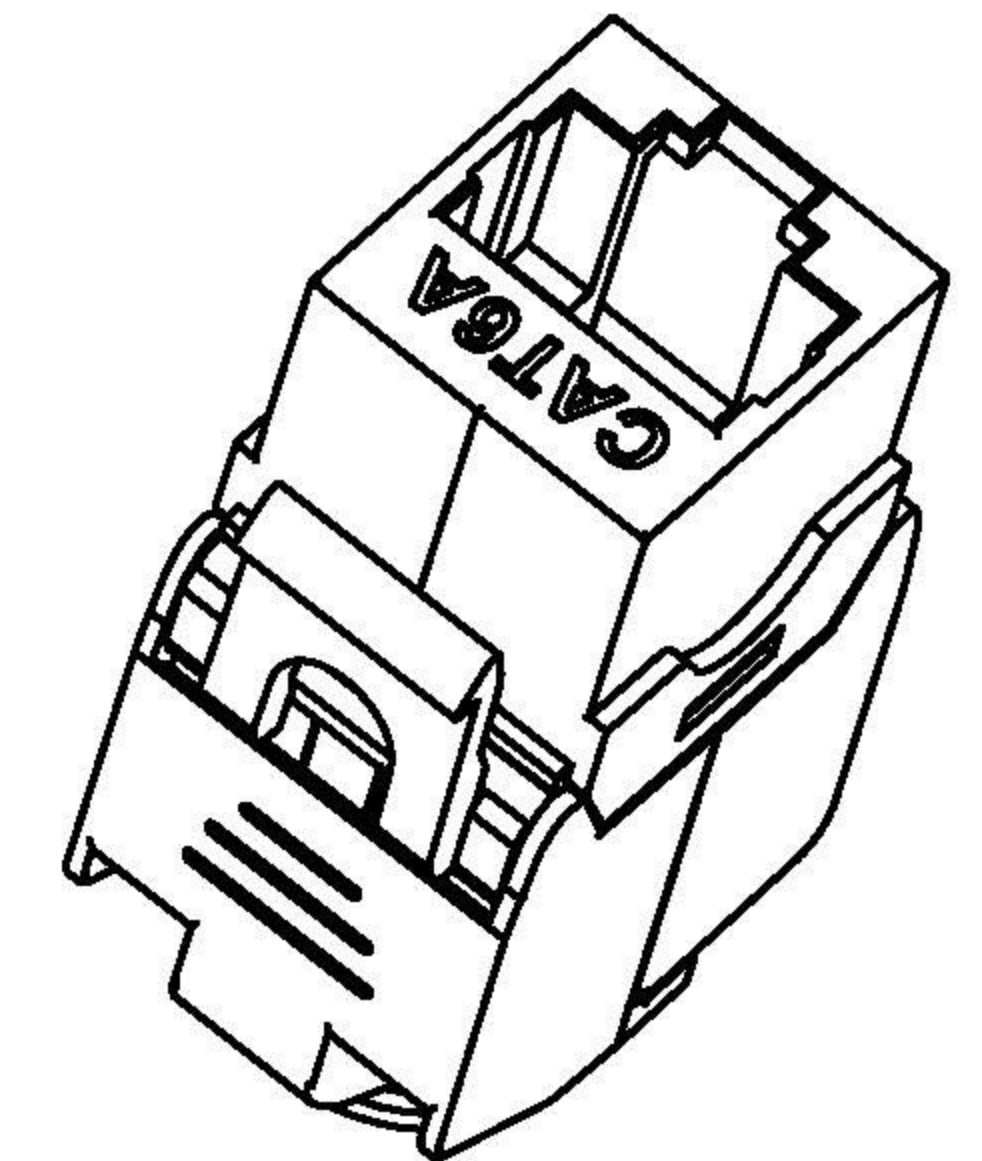


防尘盖顶面粘  
贴色标示意图



**NOTES:**

**ELECTRICAL:**


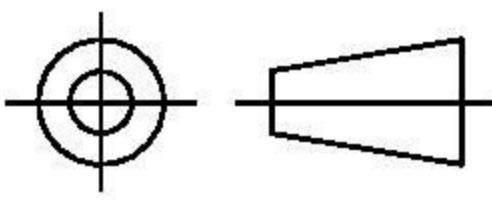
1. VOLTAGE RATING:125 VAC RMS
2. CURRENT RATING:1.5AMP
3. CONTACT RESISTANCE:100MILLIOHMS MAX
4. INSULATION RESISTANCE:1000 MEGOHMS MIN @500 VDC
5. DIELECTRIC STRENGTH:750 VAC RMS 60Hz, 1MIN

**ENVIRONMENTAL:**

1. STORAGE:-40° TO+85°
2. OPERATION:0° TO70°

**MECHANICAL:**

1. THE SHELL MATERIAL: ZINC ALLOY
2. HOUSING MATERIAL:ABS
3. INSERT MATERIAL:FAME RETARDANCY PBT
4. PCB MATERIAL:FR-4 T=1.6mm
5. CONTACT MATERIAL:PHOSPHOR BRONZE STAMP  
PIN T=0.30mm
6. IDC CONTACT MATERIAL:PHOSPHOR BRONZE  
T=0.50mm WITH TIN PLATING
7. RJ45 JACK ;LIFE:750 TIMES MIN
8. IDC LIFE:200 FTIMES MIN
9. WIRE:AWG 23-26

					 <b>VandalVeto®</b>		<b>אגבר אלקטרוניקה 2000 בע"מ</b> • 03-5711450 : פקס • 03-5713004 : טל • 53583 גבעתיים • רח' כורזין 5 • גבעתיים • • www.egber.com • egber@egber.com •		
Material		Item No.		601037		Part Name		CAT6A Tool free Keystone Jack Shielded Type	
Angles Projection		Size	Scale	Unit	ERP		Part No.		
		A4	X:1	mm					
Sheet		1 OF 1		Version: A/0					
SYM	Number	Bill No. of Alteration	Signature	Date					
Drawn	Ding jian bo	2018.9.20	Tolerance						
Checked	Ge pei jun	2018.9.20	0.00-20.00 ±0.10						
Approved	Wang wei jun	2018.9.20	20.00-50.00 ±0.15						
			50.00-100.00 ±0.20						
			100.00- ±0.25						
			Angle ±30°						