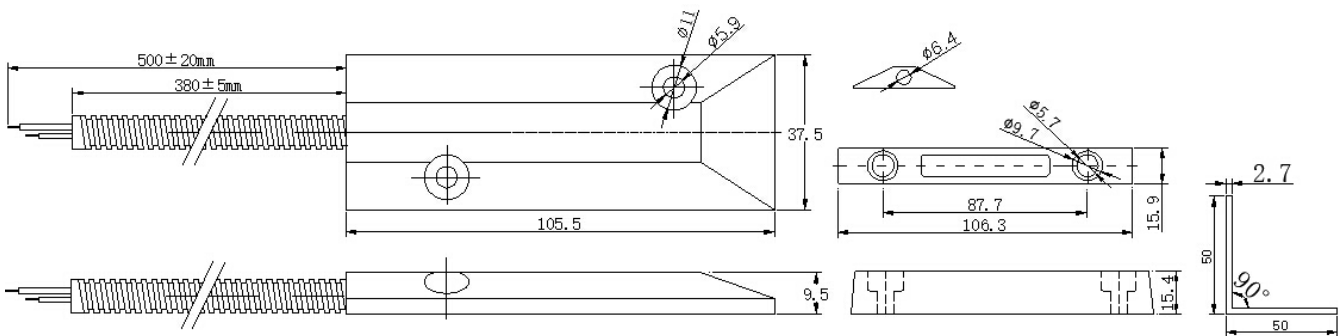


Roller shutter sensor,
heavy duty overhead door contact sensor
for Mounting on Door Tracks
Adjustable "L" bracket
Magnet can be installed in many ways
Armored cable 380mm length
Wider Gap for reduced false alarms



- Output: NC
- Action Gap : $\geq 50\text{mm}$
- Max C_{Ur}./Vol./Power/Init.Ress(A/VDC/W/m Ω): 0.5A/100V/10W/200m Ω
- Housing: zinc
- Color: grey
- Certificates: FCC, CE, ROHS
- Surface mounted with screws, leads 530mm standard length,
- With armored cover cable of 380mm

Dimensions :



VandalVeto®