



- Strong and durable SUS304 stainless steel button and panel design .
- Suitable for hollow door frame and electrical box use.
- For sole use or with different panels.
- Custom-made micro-switch according to user's requirements (such as waterproof or currents).

Specification

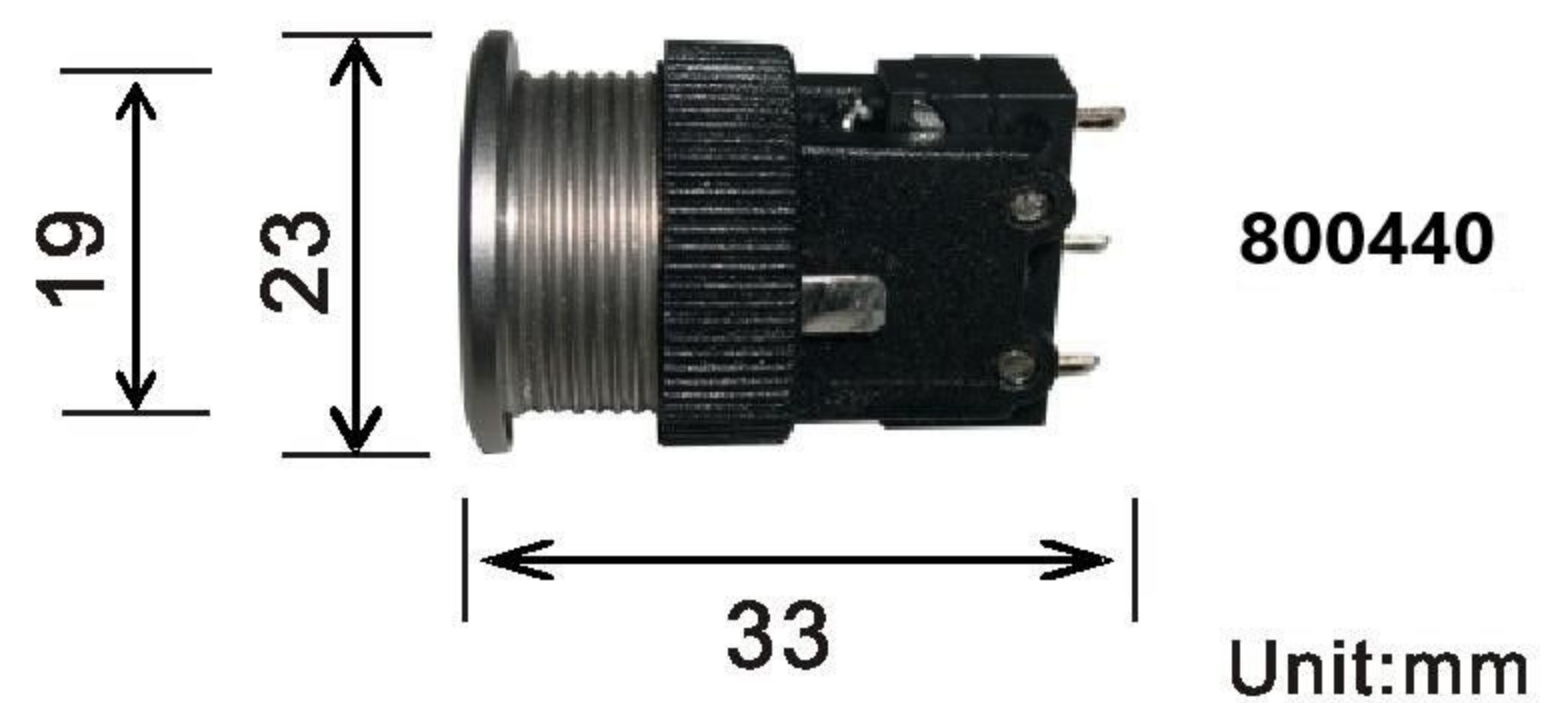
Item	800460/70/80	800440
Indicator light	Available	Not Available
Power input	12VDC±20%(LED)	Not Available
Output	N.O. & N.C.	
Material	#304 Stainless steel	
Alternate action	Stepless	
Contract rating	5A@250VAC	
Mechanical Life	1,000,000 cycles	
Contact Life	100,000 cycles (Full load)	
Water-Proof	IP54	
Operating temperature	0~75°C	

Model Number List

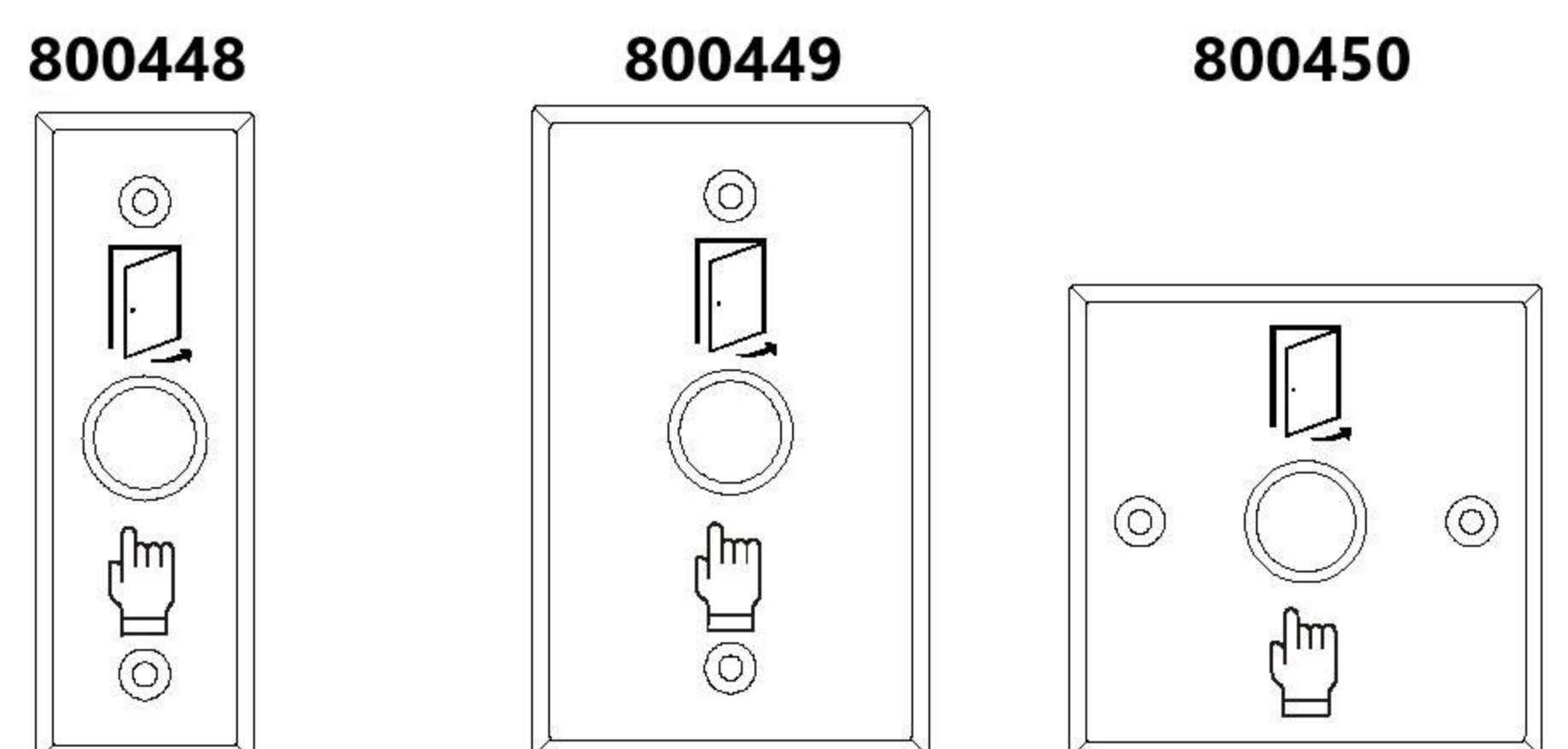
Type	Single switch	Package		
לחצן רגיל	800440	800418 פנל מלבני 115x39	800420 פנל מלבני 115x70	800421 פנל מרובע 86x86
לחצנים מוארים	800470 כחול			
	800460 אדום			
	800480 ירוק			

Dimensions

【Single Switch】

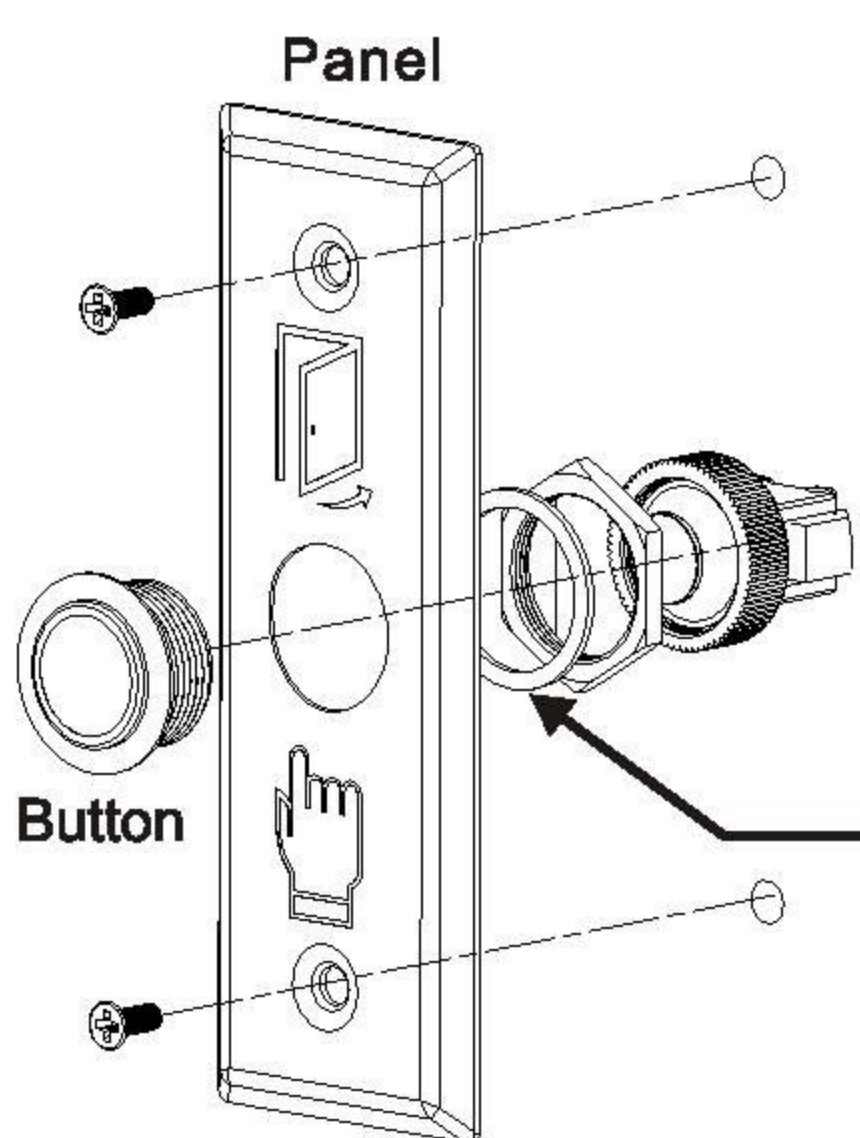


【Panel】



115×39×26 (mm) 115×70×26 (mm) 86×86×26 (mm)

Waterproof



【Installation of O-ring】

* Install O-ring behind the panel to connect both push button and the panel .

* To achieve waterproof function, install the O-ring between the push button and the panel in order to seal without any seam gap.

(The facade of the push button is waterproof.)