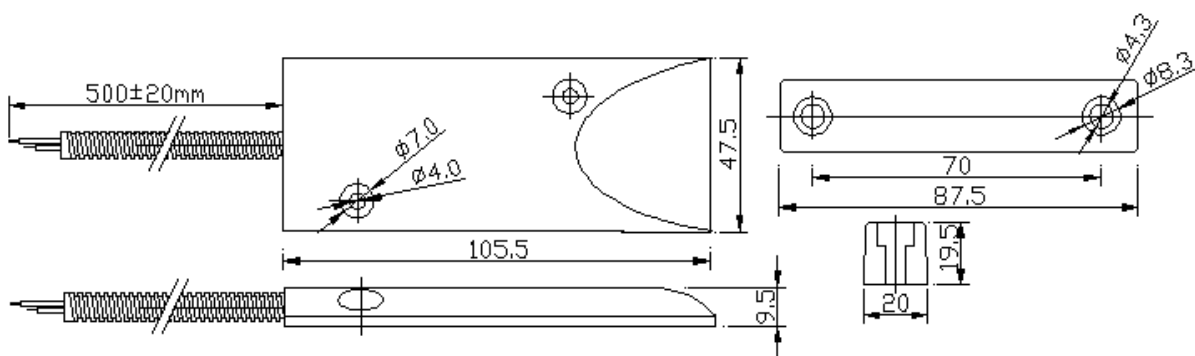


Roller shutter sensor, heavy duty
overhead door contact sensor
Armored cable in 380mm length
Wider gap for reduced false alarms
overhead door magnetic contact is for use
in the rigorous environments of commercial
and industrial installations.
The floor mount units are constructed with
a low profile heavy cast alloy zinc housing



- Output: NC
- Action Gap : $\geq 50\text{mm}$
- Max CUr./Vol./Power/Init.Res (A/VDC/W/m Ω): 0.5A/100V/10W/200m Ω
- Housing: zinc
- Color: grey
- Certificates: FCC, CE, ROHS
- Surface mounted with screws, leads 530mm standard length,
- With armored cover cable of 380mm

Dimensions :



VandalVeto®