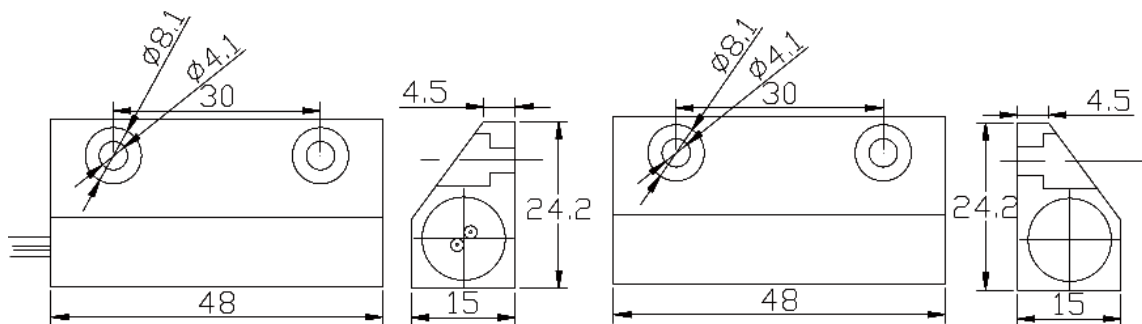
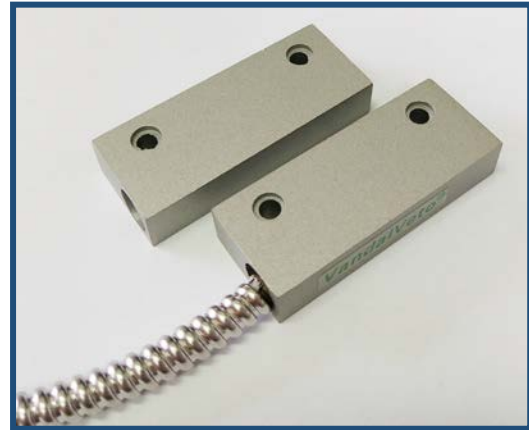


Surface mounted magnetic switch ideal for commercial or steel doors

- Aluminum material
- Color : Grey
- Output : NO/NC
- Gap : 25-35mm
- Cur : 0.5A
- Vol : 100v
- Power : 10w
- Init. Res : 200 mΩ
- Lead : 430mm in length standard
Armored cable
- Certification : CE 、 FCC 、 ROHS



VandalVeto®