



## PHOTO ELECTRIC BEAM ENCLOSURE (BEAM TOWER) 360°

**PT** - 100  
- 150  
- 200  
SERIES - 300

### CHARACTERISTICS

#### TOTAL FLEXIBILITY

The PT towers are able to contain most of the photoelectric beam products of the market, providing single or multiple beam options with external ranges of up to 250 metres (820ft). (dependant upon beam specifications).

The photoelectric beams can be fixed at any height thanks to the adjustable fixings included in each tower. To enhance mounting options and obtain a 360° protection, beams can be mounted back to back at any height.

The 100, 150, 200 and 300cm (3' 3.4"; 4' 11"; 6' 6.7" and 9' 10") standard can be adjusted to most situations required by our customers. However, in particular situations, special sizes can be manufactured.

#### MOUNTING HARDWARE

The towers can either be mounted directly onto the floor or using the optional floor bracket (PTFB) designed to be set into concrete, or for wall mounting there is the optional wall-mounted bracket PTWB. Each column is delivered with detailed documentation and instructions, making installation easy and less time consuming.

#### TAMPER PROTECTION

The tops are supplied with a tamper switch as standard. There is an optional pressure sensing (anti climb) top available (PTPS).

#### HEATERS

In order to obtain an optimal performance in external environments with low temperature conditions and condensation risk, the tower should be fitted with at least one heater, PTH 12VDC 250mA, and one thermostat, PTS.

#### FIXING KIT

A full fixing kit including expandable bolts is included with every PT tower: Stainless screws, nylock nuts, sealing strips, expanding bolts, etc.

The PT Beam Tower is a robust and discreet enclosure, resistant to vandal acts. This special design allows a 360° protection range, giving the beams the possibility to be mounted back to back at any height within the tower.

The PT Series has been designed to allow the fitting of Infra-red Beams from all of the world's leading manufacturers.

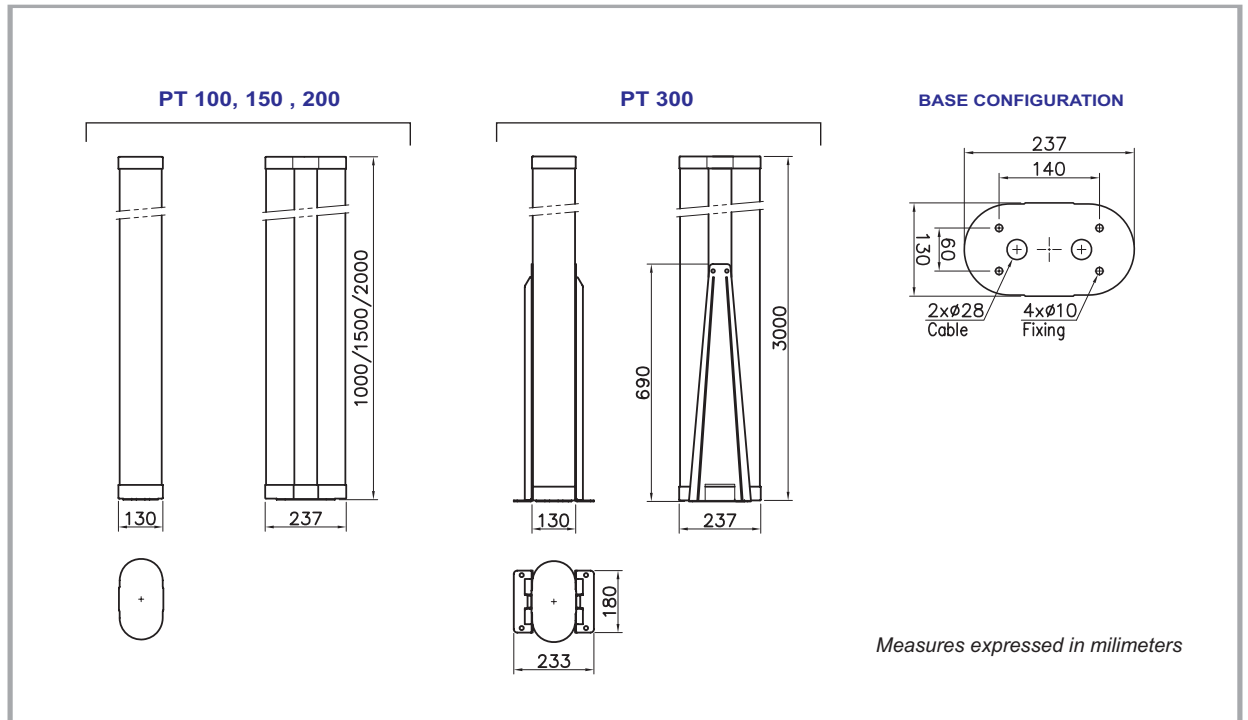


PHOTO ELECTRIC BEAM ENCLOSURE  
(BEAM TOWER) 360°

**PT** - 100  
- 150  
- 200  
- 300  
**SERIES**



[www.bunkerseguridad.es](http://www.bunkerseguridad.es)



**DIMENSIONS**

**Width :** 13cm. (5.12").  
**Depth :** 23.7cm. (9.33").  
**Height:** 100, 150, 200 and 300cm\*\*  
(3' 3.4"; 4' 11"; 6' 6.7" and 9' 10").  
**Weight:** 10.25Kg.

\*\*PT-300 (300cm) includes MB3SB  
(70cm - 27.56" side brackets).

**OPTIONAL ACCESSORIES**

**PTFB:** Floor Bracket.  
**PTPS:** Pressure switch.  
**PTH:** 12VDC Heater.  
**PTS:** Thermostat.  
**PTWB:** Wall bracket.

**MATERIALS**

- **Structure:** Anodized black aluminium.
- **Shields:** Polycarbonate with UV treatment.
- **Floor base:** Aluminium.
- **Top cover:** Polyamide with UV treatment.
- **Sealing strip:** EPDM.



Due to on going product improvements, specifications may change without notice.

**Note:** This product is designed to house 3rd. party equipment. It is not a burglar-preventing device. BUNKER is not responsible for damages or losses caused by accidents, thefts, Acts of God (including inductive lightning), abuse, misuse, abnormal use, faulty installation or improper maintenance.

**Bunker Seguridad Electrónica, S.L.**  
**C/ Camino de Hormigueras Nº 136**  
**28031 Madrid - Spain**

**Tel: +34.91.331.63.13**  
**+34.902.19.66.49**  
**Fax: +34.91.380.66.28**  
[info@bunkerseguridad.es](mailto:info@bunkerseguridad.es)

TECHNICAL SPECIFICATIONS