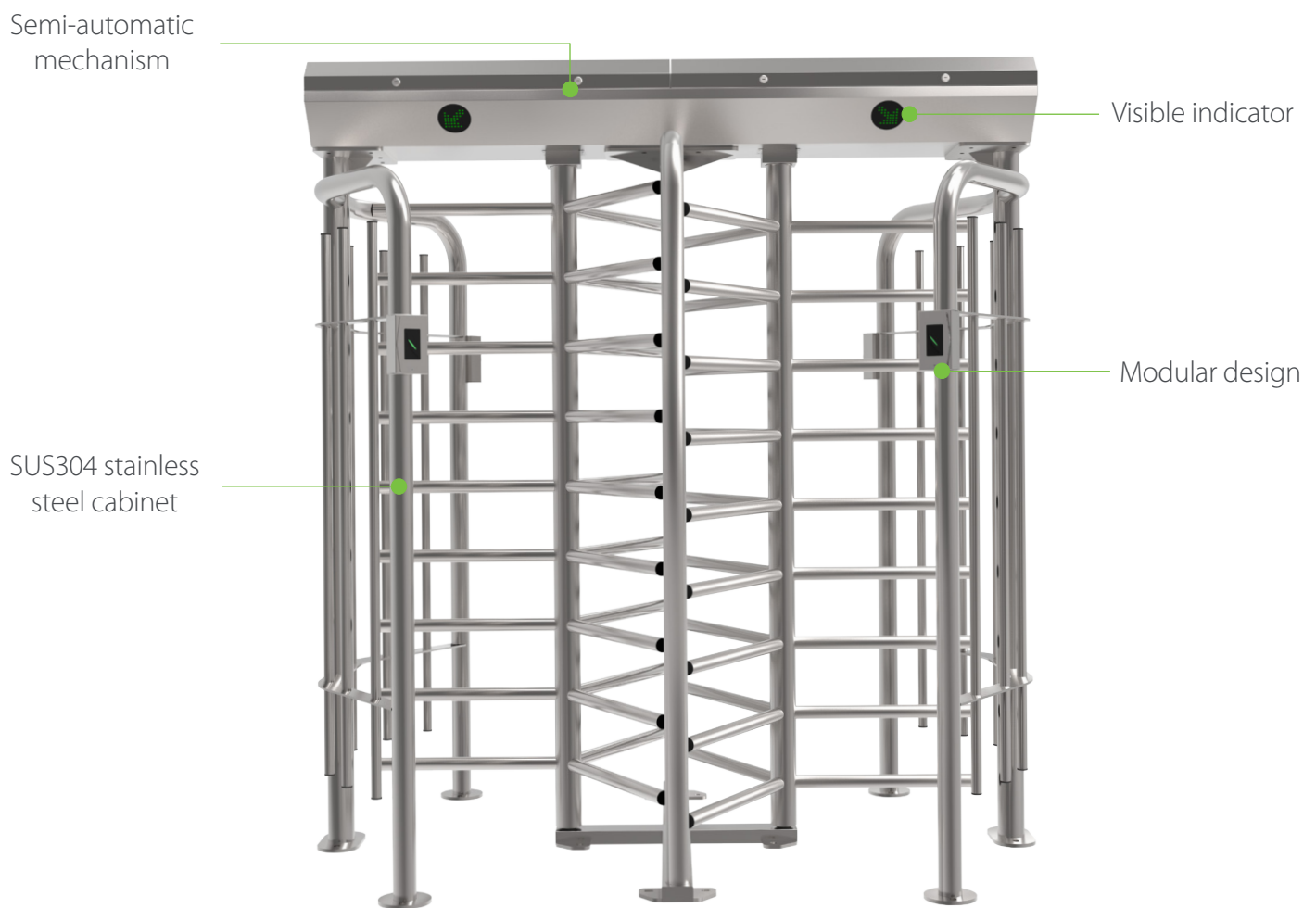


Full Height Turnstile

VVFHT2300D: Full Height Turnstile

VVFH2311D: Full Height Turnstile with RFID Access Control System

VVFHT2322D: Full Height Turnstile with Fingerprint and RFID Access Control System



Application



Industrial facilities



Corporate security



Government security

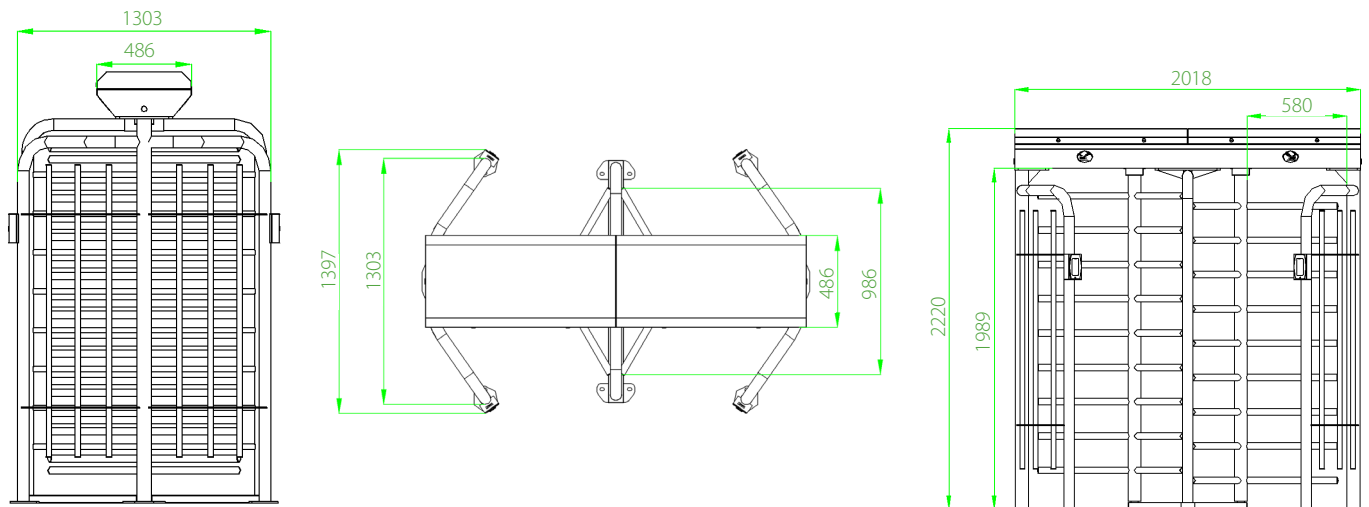


Public transportation

Specifications

Power requirements	AC110V/220V, 50/60Hz	
Working temperature	-28°C ~ 60°C	
Working humidity	0% ~ 95%	
Working environment	Indoor/ Outdoor	
Speed of throughput	RFID	Maximum 30/ minute
	Fingerprint	Maximum 25/ minute
	Face	Maximum 15/ minute
	Vein	Maximum 15/ minute
Lane width (mm)	580	
Footprint (mm * mm)	2018 * 1397	
Dimension (mm)	L=2018 W=1397 H=2220	
LED indicator	Y	
Cabinet material	SUS304 Stainless Steel	
Barrier material	SUS304 Stainless Steel	
Barrier movement	Rotating	
Emergency mode	Y	
Security level	High	
MCBF	2 million	
Ingress protection	IP54	

Dimensions (mm)



VandaVeto®

5 Korazin st., Givatayim 53583 Israel
 Tel: 972-3-5713004 Fax: 972-3-5711450

egber@egber.com

www.egber.com