

VV400

IP based Fingerprint Access Control & Time Attendance



The **VV400** is an IP based fingerprint terminal works both in network and standalone modes. In network mode, it can connect with **VVAccess3.5** software for access control and time attendance management.

Wiegand output makes **VV400** flexible to connect with **VandalVeto** or any 3rd party controllers as a slave reader, additionally wiegand input allows two units of **VV400** to configure with each other and utilize Master & Slave solution, which requires user verification at both entrance and exit. Meanwhile, anti-passback function could be used to maximize the security.

Auxiliary input interface allows **VV400** to connect with an external source, for instance a smoke detector or emergency switch. Once the linkage function is enabled through the machine menu, the device would generate an alarm signal and open the door in case of emergency.

Feature

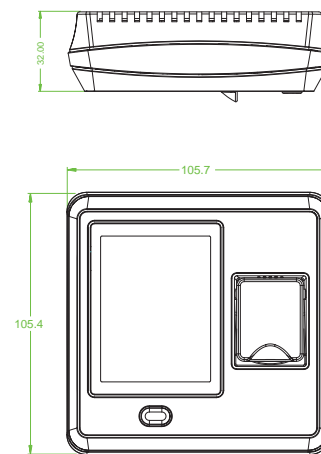
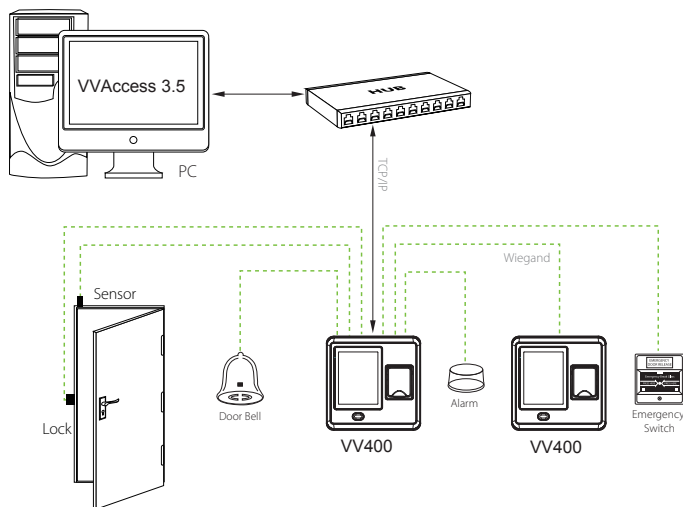
- 2.8-inch touch screen, color display with graphical UI for easy operation
- Up to 24 user-defined schedules that can activate on a daily bell alert (optional)
- Voice prompt for acceptance and rejection of valid/invalid fingers
- Compact and Lightweight, small size for 86 x 86mm socket installation
- TCP/IP or RS485 communication for various networking environments
- Supports USB flash drive for offline data management
- Built-in auxiliary input with enhanced flexibility to link with wired detector or emergency switch
- Up to 15 multi-verification methods to enhance security level
- Standard access control features such as Time zone, Holiday, A&C Group, Unlock combination etc.
- Duress Alarm offers effective protection against duress by threats
- Tamper proof switch and multiple alarm outputs
- Multi-language customizable

Specifications

Model	VV400
LCD	2.8 inch resistive touch screen
Fingerprint Sensor	VV Optical Sensor (500DPI)
Algorithm Version	VVFinger VX10.0
Communication	TCP/IP, RS485, USB Host
Fingerprint Capacity	1,500
Card Capacity (Optional)	5,000 (EM/Mifare)
Records Capacity	80,000
Access Control Interface	Electric lock, Door sensor, Alarm, Exit button, Door Bell
Wiegand Signal	Wiegand input & output
Aux. Input	1ea for linkage function
Power Supply	DC 12V/3A
Operating Temperature	0 ~ 45°C (32°~113°F)
Operating Humidity	20 ~ 80%
Dimension(L x W x H)	105 x 105 x 34mm

Configuration

Dimensions (mm)



VandalVeto®

5 Korazin st., Givatayim 53583 Israel
Tel: 972-3-5713004 Fax: 972-3-5711450

egber@egber.com

www.vandalveto.com

