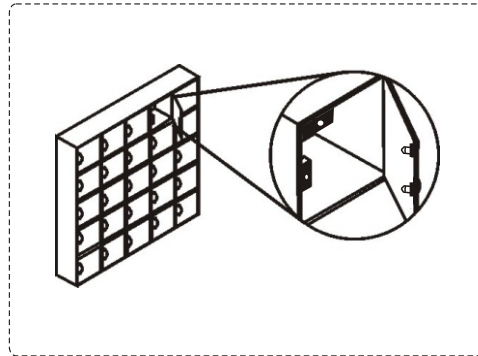


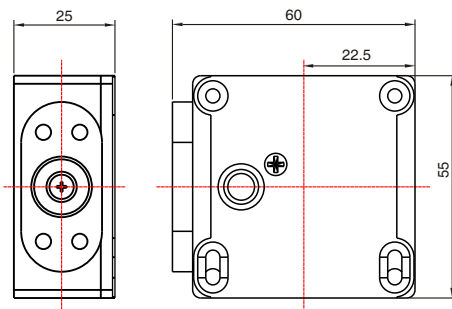
#### Technical Parameters

Size	: 55Lx55Wx25H(mm)
Pin Length	: 18mm
Pin Diameter	: 7mm
Voltage	: 12VDC $\pm$ 10%
Current	: 320mA
Suitable for	: File cabinet, Storage cabinet, Public cloak room
Weight	: 0.1kg

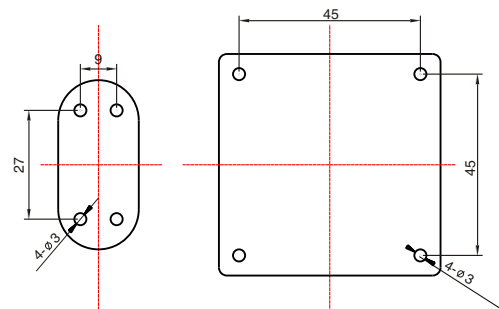
#### Installation



#### Dimension



Outline dimensional drawing



Hole size

