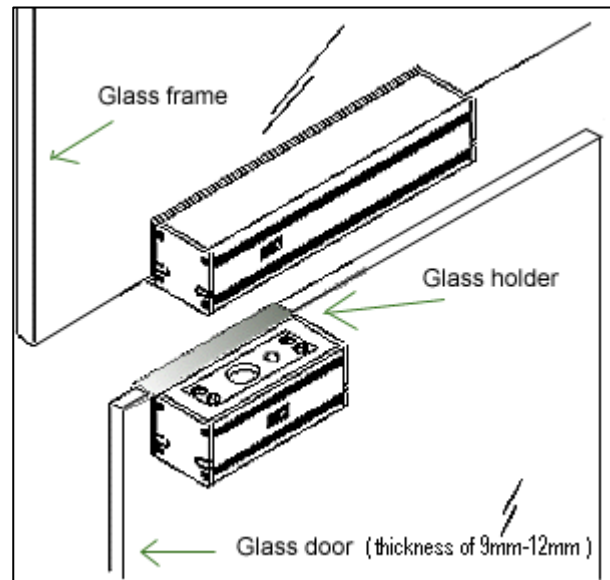
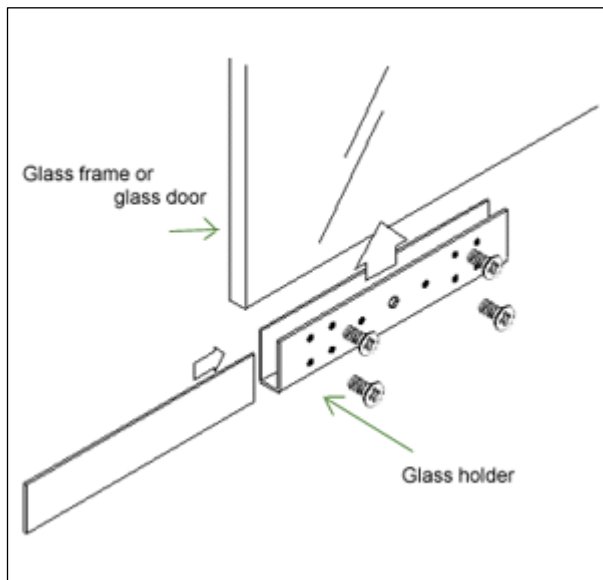


UB 100 Glass Holder

To be used with BR-100 to install SL-100 Dead Bolt Lock.

- Suitable for frameless glass door (thickness of 9mm~12mm).
- Stainless steel built for durability.
- Rubber plate and steel plate for strong holding.
- Dimensions of Large Glass Holder: 231 x 46.5 x 21 (mm)
- Dimensions of Small Glass Holder: 120.5 x 46.5 x 21 (mm)
- Weight: 1000g



VandalVeto®