



SYMMETRIC

Series 3

Symmetrical electric strikes are the most common on the market. They are **100% reversible** and feature an adjustable keeper.

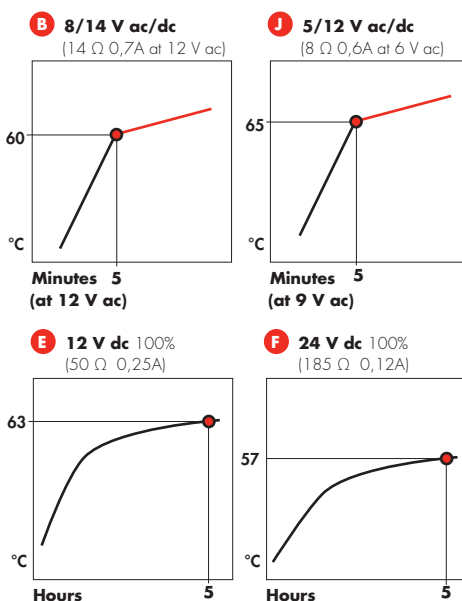
DC models are equipped with electronic protection in order to prevent damages to your access control system. This also represents an advantage for the installer as the connection is not polarized.

Featuring a wide variety of functions and voltages, these strikes quickly unlock standard doors through low power consumption.

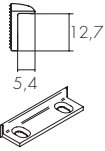
Technical Features

- Max. side-load on AC: 160 N
Max. side-load on DC: 10 N
- Break-in resistance: 3.000 N
- Operating temperature range: -15 °C /+40 °C
- Housing: Zamak
Keeper: Zamak
- Guaranteed 3 years
- Complies with 2004/108/CE (EN 55014)
- Corrosion resistant according to UNI ISO 9227

Coil features



Personalized coils upon request



References and features

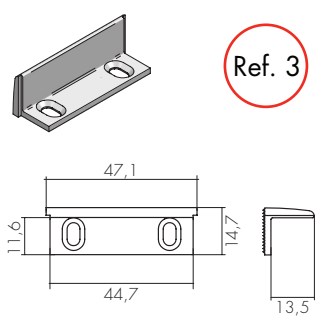
		Reversible	Adjustable keeper	Side-load	Electronic protection	Voltage	References add faceplate
	Fail-secure	●	●	●		8-14 V ac/dc	30.1.00.B
		●	●	●		5-12 V ac/dc	30.1.00.J
		●	●		●	12 V dc	30.1.00.E
		●	●		●	24 V dc	30.1.00.F
	Fail-Secure with mechanical unlocking	●	●	●		8-14 V ac/dc	31.1.00.B
		●	●	●		5-12 V ac/dc	31.1.00.J
		●	●		●	12 V dc	31.1.00.E
	Fail-safe	●	●		●	12 V dc	34.1.00.E
		●	●		●	24 V dc	34.1.00.F
	Hold-open	●	●	●		8-14 V ac/dc	32.1.00.B
		●	●	●		5-12 V ac/dc	32.1.00.J
		●	●		●	12 V dc	32.1.00.E
	Hold-open with mechanical unlocking	●	●	●		8-14 V ac/dc	33.1.00.B
		●	●	●		5-12 V ac/dc	33.1.00.J
		●	●		●	12 V dc	33.1.00.E
	Internal Hold-open	●	●	●		9-14 V ac/dc	32A.1.00.B
		●	●	●		6-12 V ac/dc	32A.1.00.J
	Internal Hold-open with mechanical unlocking	●	●	●		9-14 V ac/dc	33A.1.00.B
		●	●	●		6-12 V ac/dc	33A.1.00.J

Recommended Faceplates

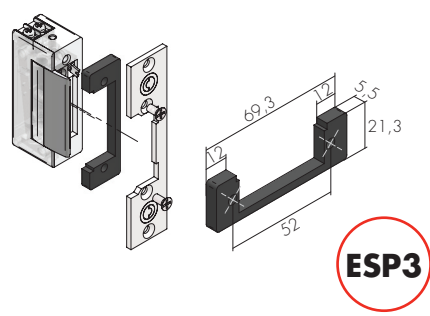
- | SHORT | LONG | ANGLED |
|------------|---------------|----------|
| 01 Grey | 04 Grey Brown | 08 Brown |
| 02 Grey | 05 Grey Brown | 09 Brown |
| 61 Inox | 20 Inox | 12 Brown |
| 62 Inox | 21 Inox | 13 Brown |
| 66 Inox | 64 Inox | 16 Brown |
| 92 Inox | 65 Inox | 17 Brown |
| | 71 Inox | |
| BOX | 73 Inox | |
| 81 Grey | 74 Inox | |
| | C4 Grey Brown | |
| 84 Grey | C5 Grey Brown | |
| Chrome | C64 Inox | |
| Brass | C65 Inox | |
| | D4 Grey Brown | |

Deep adjustable keeper

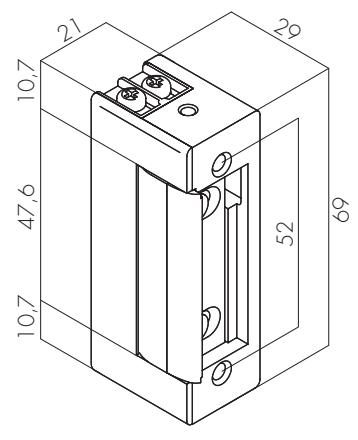
Supplied upon request



Shim kit installation



Dimensions



Keeper's adjustability: 3 mm