

SL-130

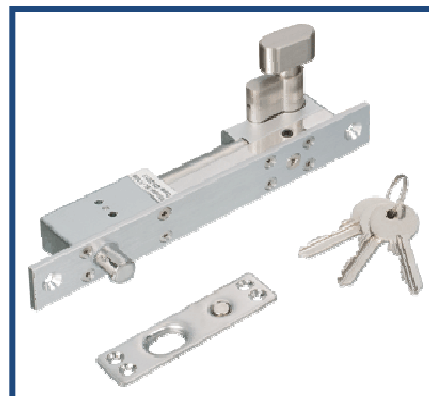
Dead Bolt Lock

(all purpose type)

All purpose (power to lock or power to unlock a adjustable)

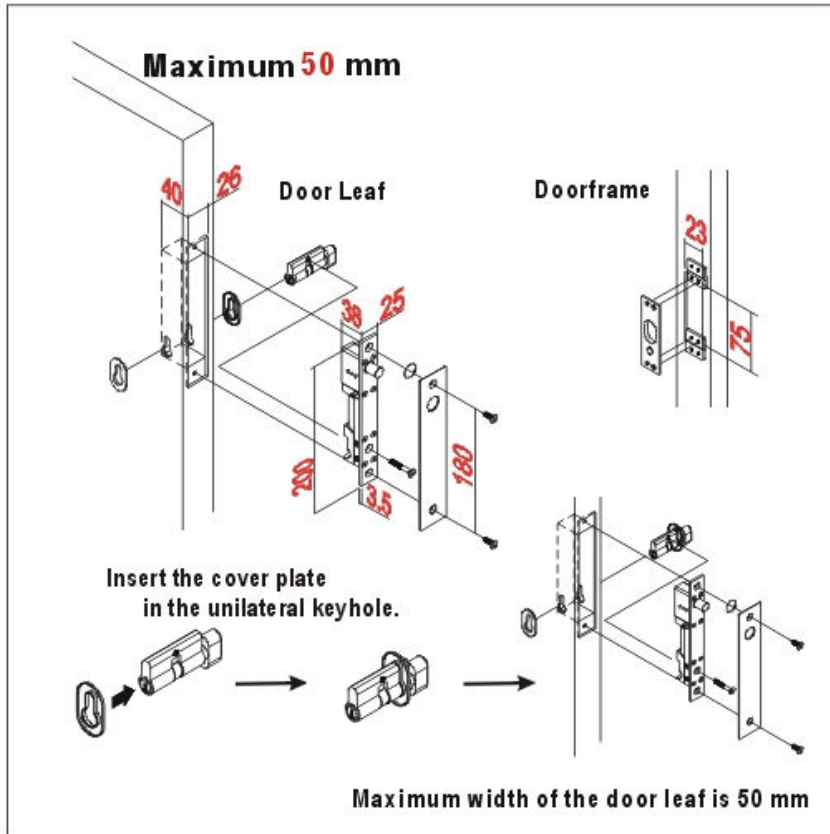
Panel with 25mm width which is suitable for narrow Door leaf use.

Round corner design

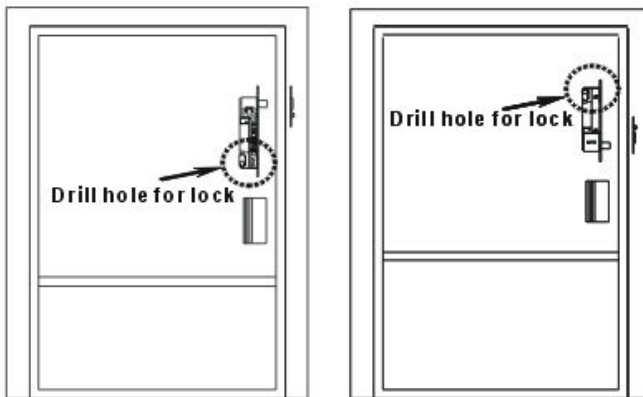


- Relock function : Automatic repeated locking (max. 60 times) when door is not locked at the correct Position.
- Adjustable fail-safe (power to lock) or fail-secure (power to open)
- Adjustable to fail-secure (power to open) for high security places. Adjustable to fail-safe (Power to lock) for public places.
- Built-in door open or door close state detection output point (250mA: N.C /N.O)
- Suitable for all types of 180° door
- Stainless steel bold is able to sustain more than 800kg of shear force
- Adjustable to fail-secure (power to open) to achieve long unlock state function
- Built-in oval cylinder as unlocking device. Use of oval cylinder to unlock when power cut occurred or during emergency
- Build-in photo couplers door open push button input contact. Door will lock again automatically when door is not open within 5 seconds.
- Operating Temp. 0°-90° C , Humidity : 85% Rh max.
- 12v DC
- Dimentions : Body : 200x25x38mm
Strike plate : 90x23x2.5mm
Bolt : 16x12.7mmØ
- Weight : 750g
- Certification : CE

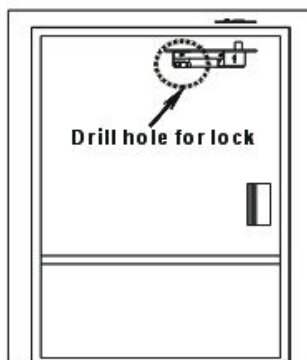
VandalVeto®



Install at the side of the door



Install at the top side of the door



VandalVeto®