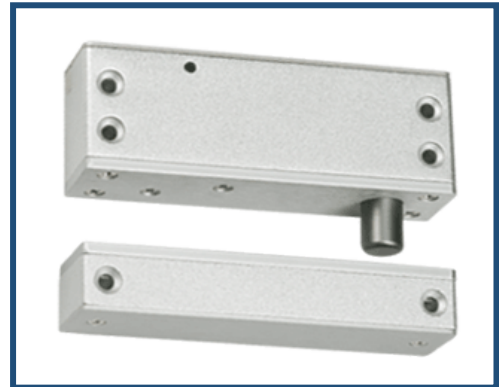


SL-165B Dead Bolt Lock

Dead bolt Lock for surface mounted type With door position detection output N.C/N.O

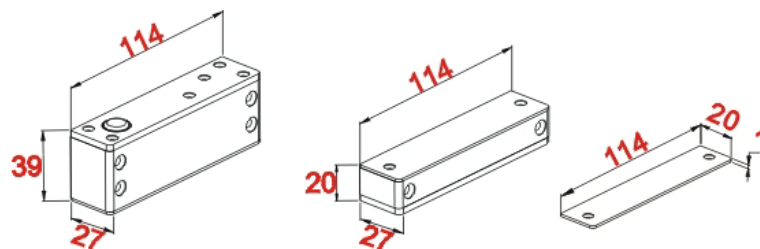
SL-165 has its own micro - computer control and detection.

It is strongly suggested to use its own door open point (N.O. point) to open door and do not turn its power off (N.C. point) to open door.



- Integrated surface-mounted designed for easy installation
- Use for 90°~180° open hollow metal or solid wooden doors
- Built-in microcontroller. Automatic current output control according to the door leaf position. The current is being lowered to 210mA after 6 seconds of door leaf positioning in order to cut down power consumption and lower the temperature of the lock body
- Special wearable design. Mechanic life of more than 500,000 times
- Adjustable wiring methods according to the environment
- Adjustable lock time (0 sec. & 3 sec.)
- 1 set of push button control contact is available
- Lock indicator is available for lock status
- Power Supply: DC12V ±10%
- Power consumption: 210mA (standby); 570mA (operation)
- Operation temp. : Maximum 45°C (Room temperature 30°C)
- Operation environment : Temp. 0-70°C , Humidity 85%Rh max
- Dimensions:Body: 114(L) x 27(W) x 39(D)mm
Strike plate : 114(L) x 27(W) x 20(D)mm
Bolt : 14(Throw) x 12.7(Diameter)mm
- Weight: 450g
- Certification: CE

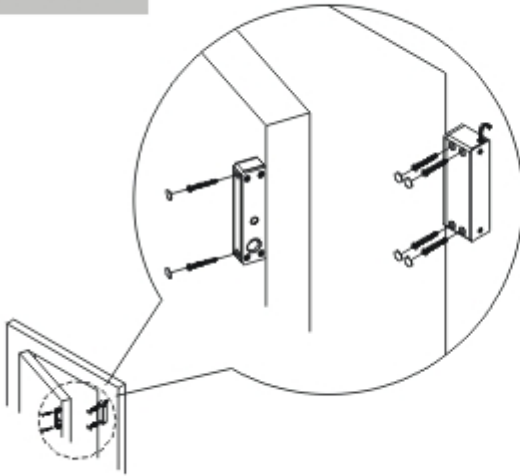
• Dimensions



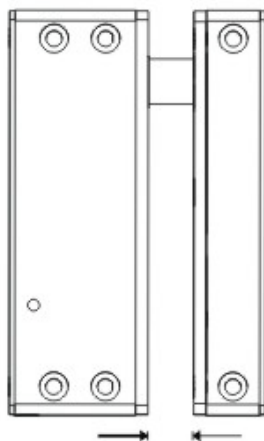
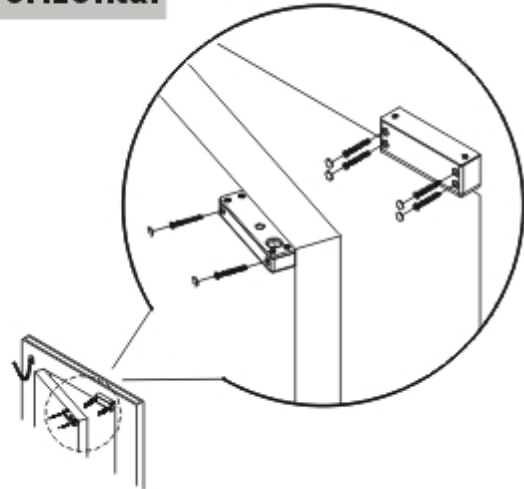
VandalVeto®

• Installation

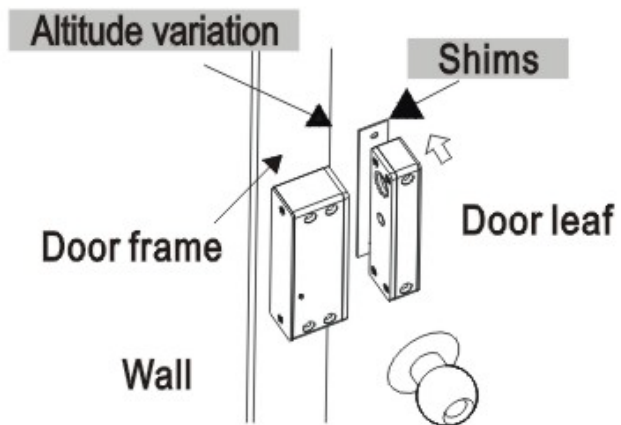
Vertical



Horizontal



Maximum distance as 6mm.
It is unable to lock if the
spacing is exceeding 6mm.



Please use shim when there is
an altitude variation at the joint
of the door frame and door leaf.

VandaVeto®