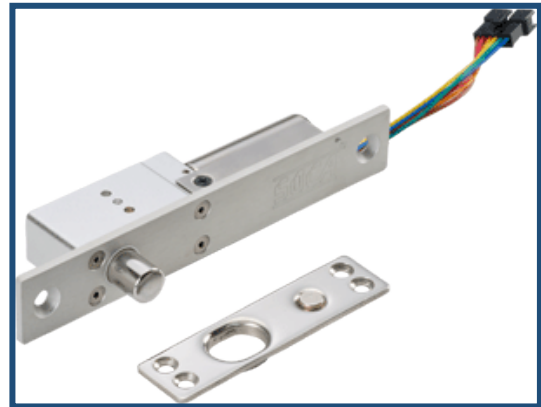
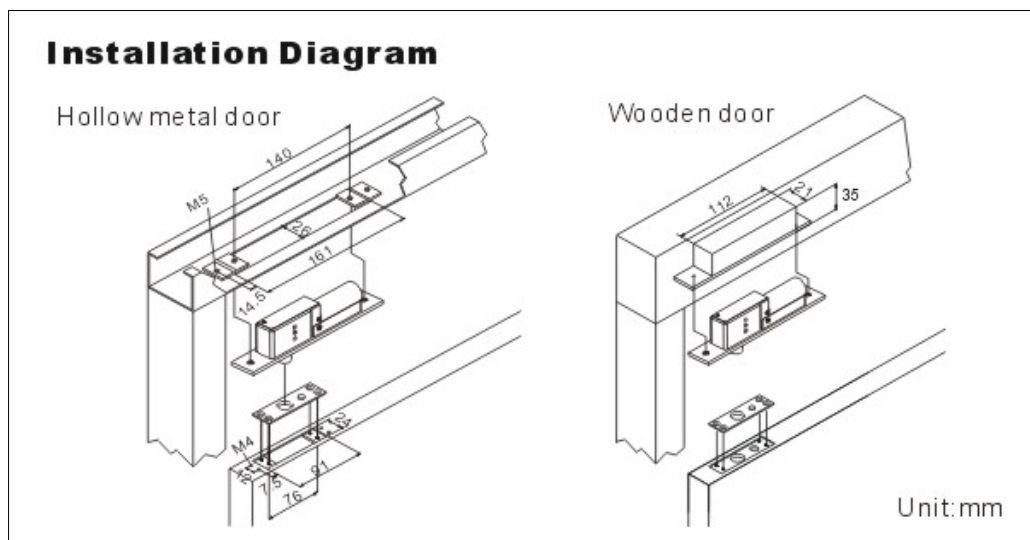


SL-133 has its own micro - computer control and detection.  
 It is strongly suggested to use its own door open point (N.O. point) to open door and do not turn its power off (N.C. point) to open door.



- Built-in door open or door close state detection output point (250mA: N.C./ N.O.)
- Special wearable design
- Mechanic life of more than 1,000,000 times
- Operation current : 830mA
- Holding current : 160mA
- Door Position Sensor : N.C. & N.O
- Suitable for all types of 180° door
- Door lock delay time: 0.3 seconds available to set
- Built-in photo couplers door open push button input contact. Door will lock again automatically when door is not open within 6 seconds
- Operation temp. : 0~90°C ; Humidity: 85%Rh max.
- Dimensions : Body : 1600(L)x25(W)x34.5(D)mm  
 Strike plate : 90(L)x23(W)x2.5(D)mm  
 Bolt : 16(Throw)x12.7(Diameter)mm
- Weight : 226g
- Certification : CE



**VandalVeto®**