



Active Edge Quad Infra-Red Beams

The Active Edge range of infra-red beams can be used to provide highly effective indoor and outdoor perimeter protection.

Simple to install and setup, Active Edge point beams are proven to deliver precise and effective detection solutions.

PRODUCT CODE

GJD970 200m Quad Active Beam

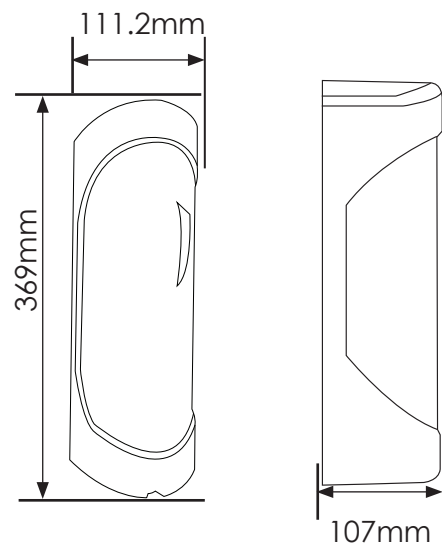
UNIQUE FEATURES

Alignment output
Selectable frequency
Modern design

END USER BENEFITS

Low energy
Simple to install
Precise detection
4 invisible detection beams

DIMENSIONS



SECTORS



RESIDENTIAL



COMMERCIAL



INDUSTRIAL



BORDERS



MILITARY BASES



PORTS



POWER PLANTS



HERITAGE



AIRPORTS



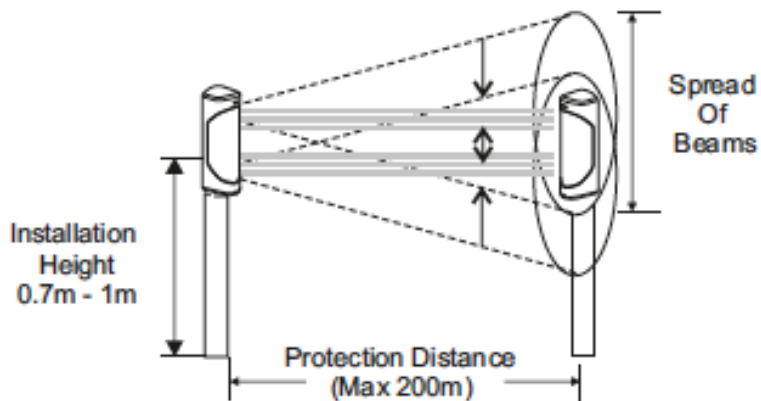
PRISONS

ACCESSORIES

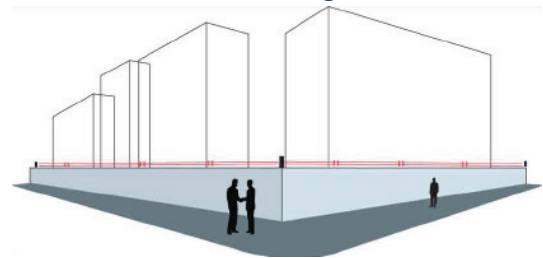
GJD950	'U' Bracket
GJD955	Mounting Plate
GJD980	Internal Heating Module

Outdoor Detection Range	200 Metres
Indoor Detection Range	600 Metres
Beam Characteristics	Pulsed infra-red quad beams
Interruption Period	50~700 milliseconds (selectable)
Power Input	DC12~24V/AC 11~18V
Current Consumption (excluding heaters)	105mA max
Alarm Period	2 second (±1) nominal
Alarm Output	Form C relay (AC/DC 30V 0.5mA max)
Tamper Switch	N/C opens when cover is removed
Operating Temperature	-25°C ~ +55°C
Environment Humidity	95% Max
Alignment Angle	±10° vertical. ±90° horizontal
Mounting	Wall or Pole
Weight	3100g (Both transmitter & receiver)
Appearance	PC Resin (black)

BEAM COVERAGE



Active IR Working Scheme



When the signal is blocked, the detector sends alarm information to the control panel

Please note GJD reserve the right to change the information within this document, without notice.

