



## Active Edge Dual Infra-Red Beams

The Active Edge range of infra-red beams can be used to provide highly effective indoor and outdoor perimeter protection.

Simple to install and setup, Active Edge point beams are proven to deliver precise and effective detection solutions. Available as 60m and 100m dual beams.

### PRODUCT CODE

**GJD940** 60m Dual Active Beam

**GJD960** 100m Dual Active Beam

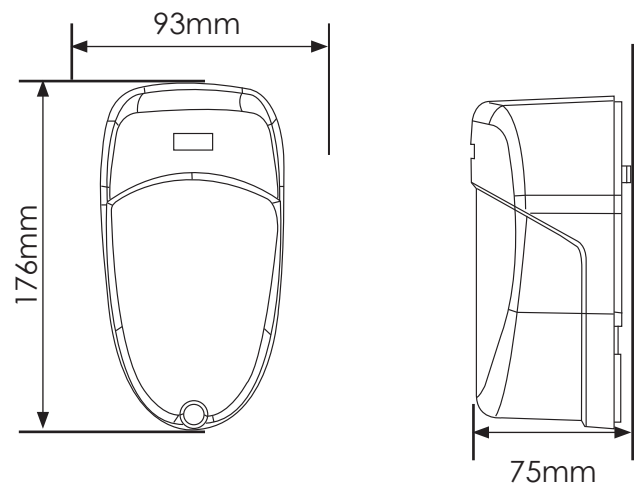
#### UNIQUE FEATURES

Alignment output  
Modern design

#### END USER BENEFITS

Energy efficient  
Low maintenance  
Cost effective  
2 invisible detection beams

#### DIMENSIONS



#### SECTORS



RESIDENTIAL



COMMERCIAL



INDUSTRIAL



BORDERS



MILITARY BASES



PORTS



POWER PLANTS



HERITAGE



AIRPORTS



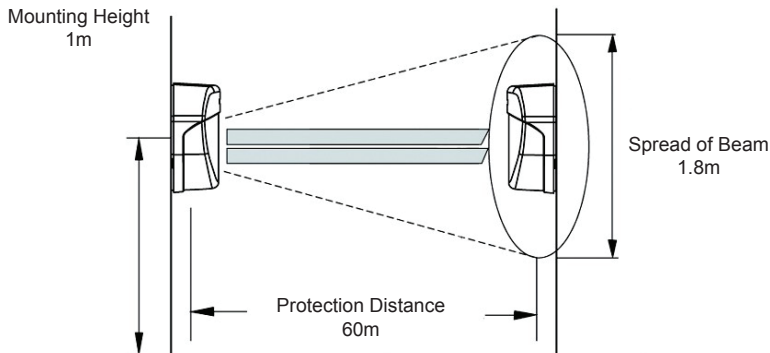
PRISONS

## ACCESSORIES

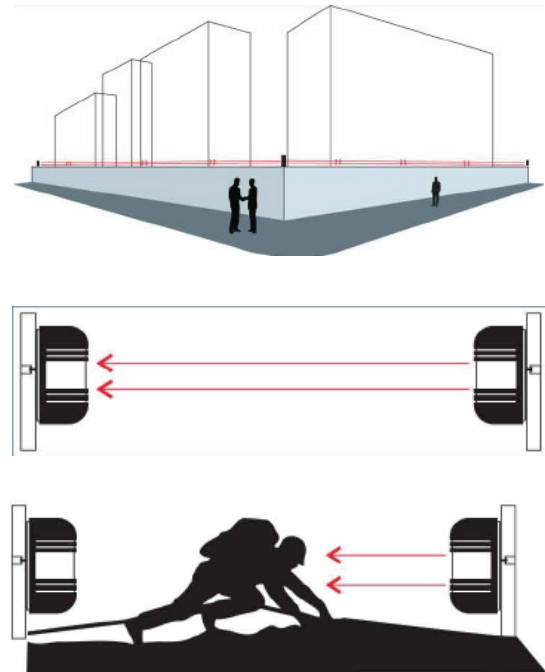
<b>GJD950</b>	'U' Bracket
<b>GJD955</b>	Mounting Plate
<b>GJD980</b>	Internal Heating Module

<b>OUTDOOR DETECTION RANGE</b>	60 Meters (GJD940) 100 Meters (GJD960)
<b>INDOOR DETECTION RANGE</b>	180 Meters (GJD940) 300 Meters (GJD960)
<b>BEAM CHARACTERISTICS</b>	Pulsed infra-red double beams
<b>INTERRUPTION PERIOD</b>	50~700 milliseconds (selectable)
<b>POWER INPUT</b>	DC12~24V/AC 11~18V
<b>CURRENT CONSUMPTION (Excluding heaters)</b>	40mA max (GJD940) 65mA max (GJD960)
<b>ALARM PERIOD</b>	2 second (±1) nominal
<b>ALARM OUTPUT</b>	Form C relay (AC/DC 30V 0/5mA max)
<b>TAMPER SWITCH</b>	N/C opens when cover is removed
<b>OPERATING TEMPERATURE</b>	-25°C ~ +55°C
<b>ENVIRONMENT HUMIDITY</b>	95% Max
<b>ALIGNMENT ANGLE</b>	±5° vertical, ±90° horizontal
<b>MOUNTING</b>	Wall or Pole
<b>WEIGHT</b>	659g (Both transmitter & receiver)
<b>APPEARANCE</b>	PC Resin (black)

## BEAM COVERAGE



## Active IR Working Scheme



**When the signal is blocked, the detector sends alarm information to the control panel**

Please note GJD reserve the right to change the information within this document, without notice.

[www.gjd.co.uk](http://www.gjd.co.uk) | [info@gjd.co.uk](mailto:info@gjd.co.uk) | +44 (0) 1706 363 998

Unit 2 Birch Business Park, Whittle Lane, Heywood, Greater Manchester, OL10 2SX, UK

DS940-10-05-15

