

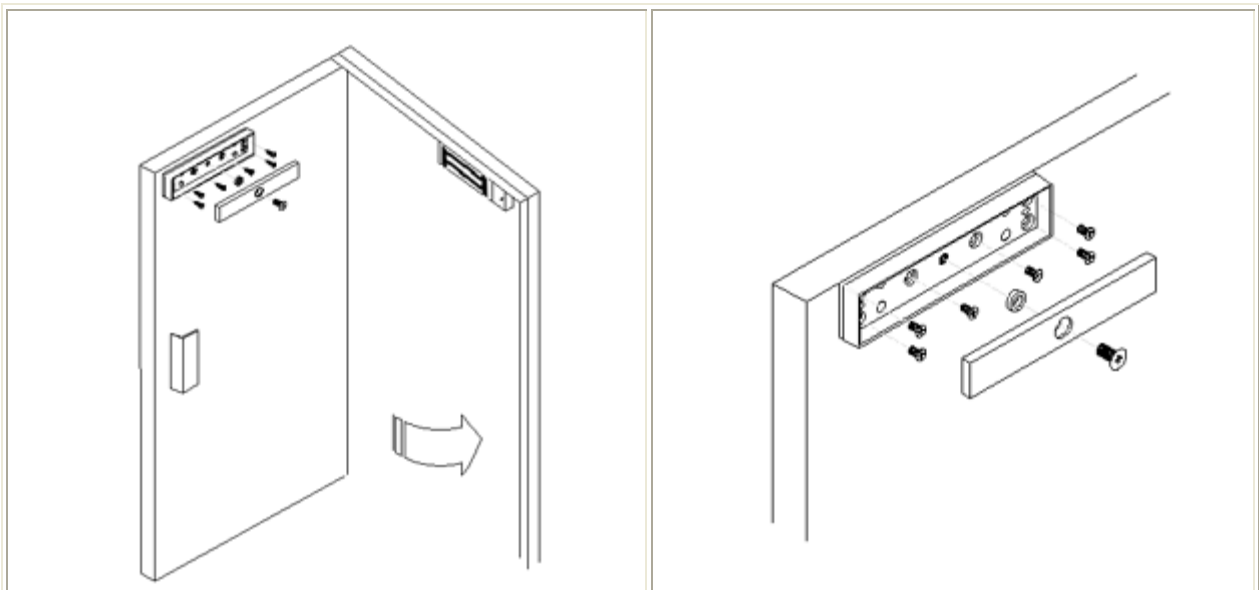
## EB-200/220

### Armature plate Housing

- To be used with SL-200/220 armature plate housing
- Suitable for all types of 90° **out-swing door**
- Special hardening treatment for durability
- Easy installation for time and energy saving
  
- Dimensions : **EB-200** 193x45x12.7mm  
**EB-220** 195.5x72x19mm
- Weight : **EB-200** 176g  
**EB-220** 298g



### Installation Diagram



**VandalVeto®**