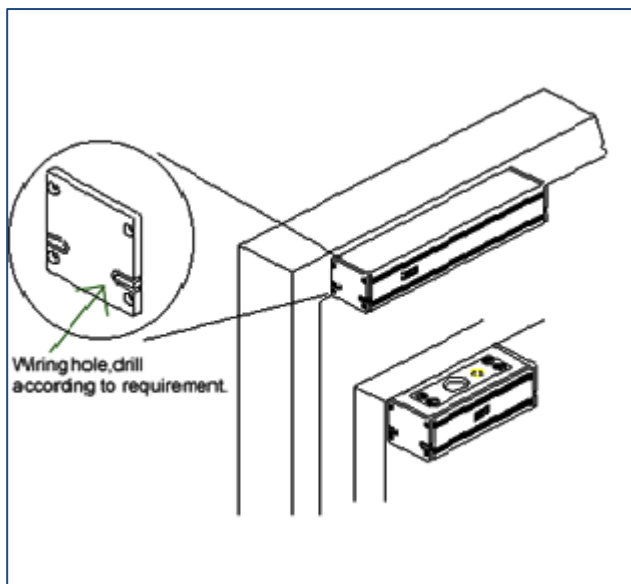


BR 100 Surface Mount Bracket

Surface mount the bracket when unable to drill hole
In the door frame .

- **Glass door**
- **Door frame which is too narrow**

- To be used with SL-100 Dead Bolt Lock.
- Suitable for all types of 90° or 180° door.
- Sturdy built for durability.
- Simple installation without knocking any holes out.
- Able to integrate with UB-100 glass holder.
- Dimensions: 230 x 45 x 46(mm).
- Weight: 590g.
- Optional of BR-100C Bracket available.



VandalVeto®