



AVN2503



H.265



HD 1080P



DWDR



Wireless



Push Video



EaZy Networking



Mobile Surveillance




2MP Wireless IR Bullet IP Camera

FEATURES

- **Free P2P Cloud EaZy Networking**

- Cloud **EaZy Networking** available to connect this device to Internet automatically in three steps with our free mobile app, EagleEyes.
- The **Buddy** feature to share the device access permission to other people.
- Device login / out notifications reported.



- Network access via either a wireless **IEEE 802.11 b/g/n** connection
- **ONVIF** () standard supported to simplify system integration
- IR effective distance up to 25 meters for day and night surveillance
- **DWDR** to increase image recognizability in overexposure and dark areas
- **Remote Surveillance**
 - **Fully compatible** with **iOS** and **Android** devices, and **Internet Explorer** on Windows operating system
 - Free PC program, **CMS Lite**, for 32CH devices monitoring on Windows operating system
 - **Push Video** available on your iOS and Android devices



○ SPECIFICATIONS

■ Network	
LAN Port	YES
LAN Speed	10/100 Based-T Ethernet
Wireless Interface	IEEE802.11b/g/n, 2.4 GHz
Antenna Gain	2dBi, dipole
RF Connector	Reverse SMA Plug
Supported Protocols	DDNS, PPPoE, DHCP, NTP, SNTP, TCP/IP, ICMP, SMTP, FTP, HTTP, RTP, RTSP, RTCP, IPv4, Bonjour, UpnP, DNS, UDP, IGMP, QoS, SNMP
ONVIF Compatible	YES (Profile S)
Number of Online Users	10
Security	(1) Multiple user access levels with password (2) IP address filtering (3) Digest authentication (4) WEP 64/128 bit, WPA-PSK/WPA2-PSK
Remote Access	(1) Microsoft Edge, Internet Explorer, Google Chrome & Safari on Windows operating system (2) 32CH CMS Lite on Windows operating system (3) EagleEyes on iOS & Android mobile devices
■ Video	
Network Compression	H.265 / H.264 / MJPEG
Video Resolution	1920 x 1080 / 1280 x 720 / 720 x 480 / 352 x 240
Frame Rate	30fps
Multiple Video Streaming	4 (H.265 / H.264 / MJPEG)
■ General	
Image Sensor	1/2.9" SONY CMOS image sensor
Min Illumination	0.1 Lux / F2.0, 0 Lux (IR LED ON)
Shutter Speed	1/2 to 1/10,000 sec
S/N Ratio	More than 48dB (AGC off)
Lens	f2.8mm / F2.0
Viewing Angle	95.2° (Horizontal) / 55.1° (Vertical) / 101° (Diagonal)
IR LED	2 units
IR Effective Distance**	Up to 25 meters
IR Shift	YES
Smart Light Control	YES
White Balance	ATW
AGC	Auto
IRIS Mode	AES
Sharpness	YES
DWDR	YES
Privacy Mask	YES
RAM	20MB
IP Rating	IP66
Operating Temperature	0°C ~ 40°C
Operating Humidity	90% or less relative humidity
Power Source (±10%)	DC12V / 1A
Current Consumption (±10%)	161mA (IR OFF) / 424mA (IR ON)
Power Consumption (±10%)	5.1W
Net Weight (kg)	0.17

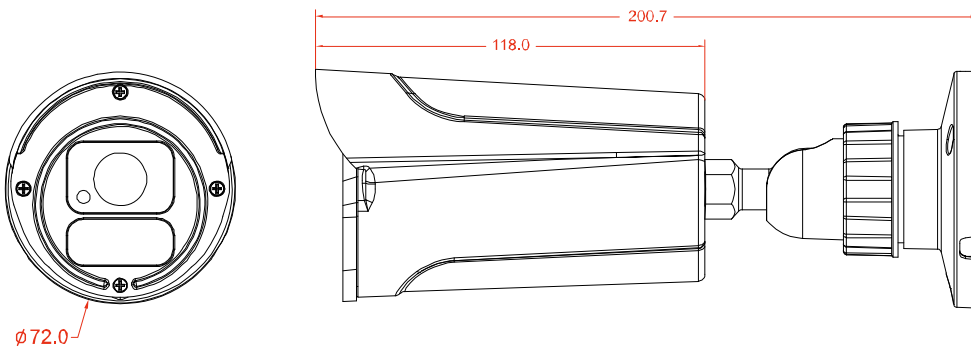


● SPECIFICATIONS (CONTINUED)

■ Others	
EaZy Networking	YES
Push Video	YES
Mobile Surveillance	iOS & Android mobile devices
Event Notification	FTP / Email / SMS
LED Indication	YES
Digital Pan / Tilt / Zoom	YES
Motion Detection	YES
RTC (real-time clock)	YES
Minimum Web Browsing Requirements	<ul style="list-style-type: none"> • Intel core i3 or higher, or equivalent AMD • 2GB RAM • AGP graphics card, Direct Draw, 32MB RAM • Windows 10, Windows 8, Windows 7 & Windows Vista, DirectX 9.0 or later • Microsoft Edge, Internet Explorer 7.x or later
Optional Junction Box	AVA456-WBKT / AVA456-WHKT

*The specifications are subject to change without notice.

● DIMENSIONS



Dimensional tolerance: $\pm 5\text{mm}$