

Push Button Switch

800461/800471/ 800481

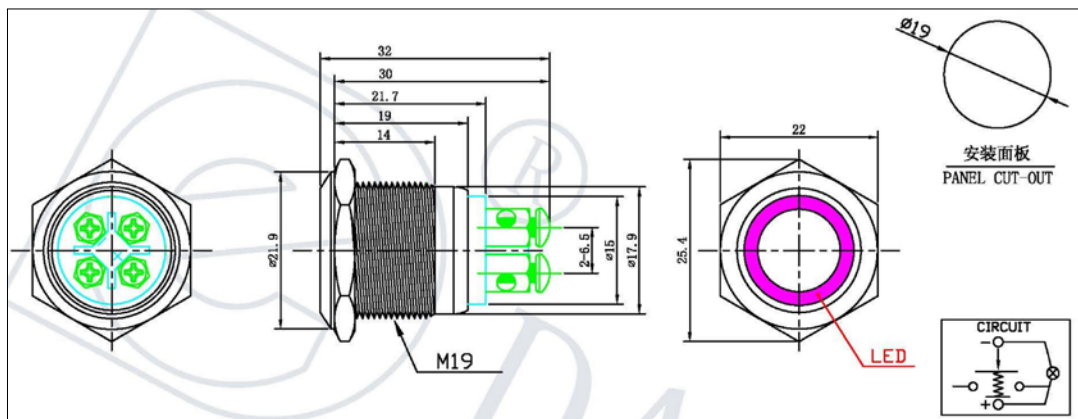
Push Button Switch

- 800461 Red Led
- 800471 Blue Led
- 800481 Green Led

- Button : Stainless steel
- Base : PA66
- Contact : Silver Alloy
- Nut : Nickel plated Brass



Contact Rating	5A 250V
Electrical life	50,000 cycles
Contact Resistance	50m-ohms max
Installation Resistance	1,000M-ohms min 500vDC
Dielectric Strength	2,000v RMS 50~60Hz
Operation Temp.	-20°C ~ +55°C
Switch Function	1NO Momentary
IP	IP67
Torque	5~14Nm. Max applied to nut
Operating Force	5N max



VandalVeto®