

Industrial 8 Ports PoE Fast Ethernet Switch

802.3af/at、6kv Lightning、One Key CCTV

700564

Datasheet : VER2.0

700564



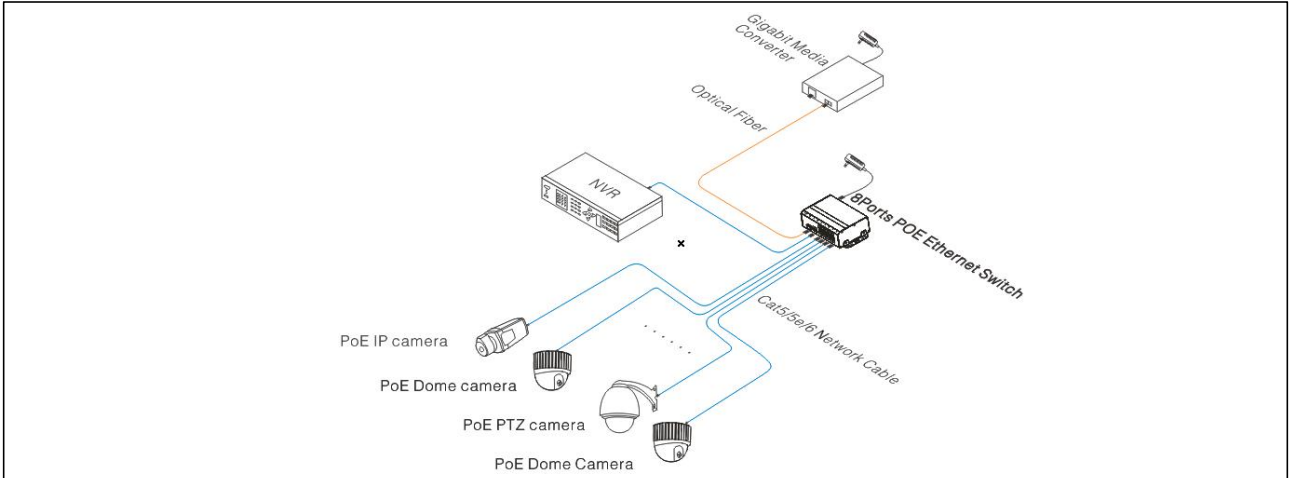
- Provide eight 10/100Mbps ethernet ports and one uplink ethernet port and one uplink optical port (1000Mbps) ;
- The PoE ethernet port supports IEEE802.3 af/at standard and can provides up to 30W power
- One key CCTV model; 1 ~ 8 downlink ports can only communicate with uplink ports; the furthest transmission distance could reach 250m
- Redundant power design, support Hot Backup Power;
- Quasi-industrial products, fan-free heat folds metal design;
- Excellent circuit for isolation protection, Anti-thunder ability up to 6KV;
- Fast installation , easy operation, convenient for wall-hung, din rail and desktop installation.



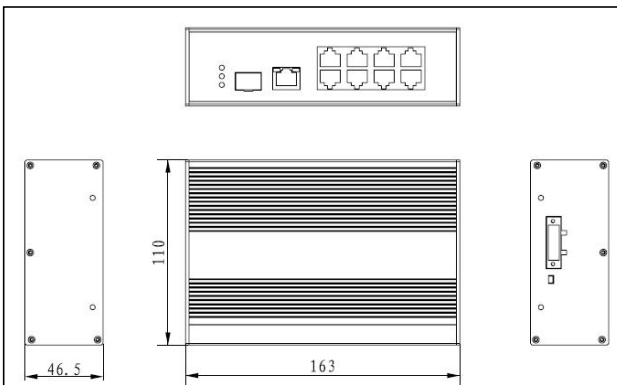
Introduction

The un-managed industrial ethernet switch provides one uplink Gigabit ethernet port and one uplink Gigabit optical port , and 8* 100Mbps PoE ethernet ports which supporting af/at power supply standard. This product is designed for high definition IP camera network access; which supports one key CCTV model, can achieve VLAN, restrain the Netstorm, protect the information security and prevent the virus spread and Ethernet attack; it also integrates optical interface to achieve the perfect performance which blended with fiber optical transceivers and network switches, to solve the problem of long-distance transmission. The product could be used in network security video surveillance, network project etc.

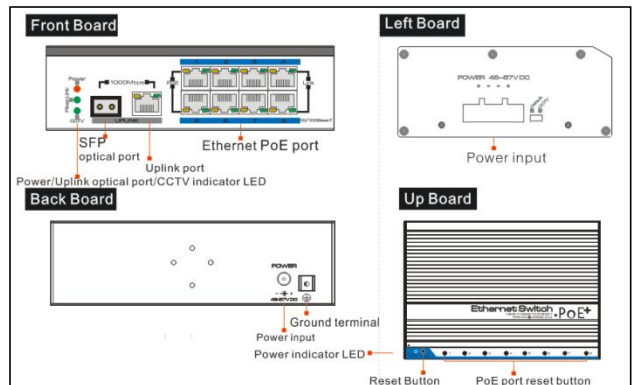
Application



Physical Features



Interface drawing



Specification

Model	700564
Downstream Ports	8* 10/100Base-TX
Uplink Ports	1*1000Mbps SFP Port and 1*10/100/1000Base-T
Network Standard	IEEE802.3、IEEE802.3u、IEEE802.3ab、IEEE802.3z、IEEE802.3 X
Switch Capacity	5.6Gbps
Throughput	4Mpps
Switch Processing Scheme	Store and Forward
Memory Buffer	1M
MAC Table	8K
PoE Standard	802.3af/at
PoE Type	End-span
Power Pin Assignment	1/2(+), 3/6(-)
PoE Power Output	44~57V DC , 30 watts max
PoE Budget	150 watts max
Lightning protection	6KV Execute : IEC61000-4-5
ESD	6KV Contact discharge 8KV Air discharge Execute : IEC61000-4-2
Power Supply	DC 48~57V
Power Dissipation	<6W
Work temperature	-40°C~75°C
Storage temperature	-40°C~85°C
Humidity(Non-condensin)	5%-95%
Dimension (L×W×H)	159mm×110mm×46mm
Weight	530g
Regulator	CE、FCC、ROHS

VandalVeto®

5Korazin st., Givatayim 53583 Israel
 Tel: 972-3-5713004 Fax: 972-3-5711450
 www.egber.com egber@egber.com