

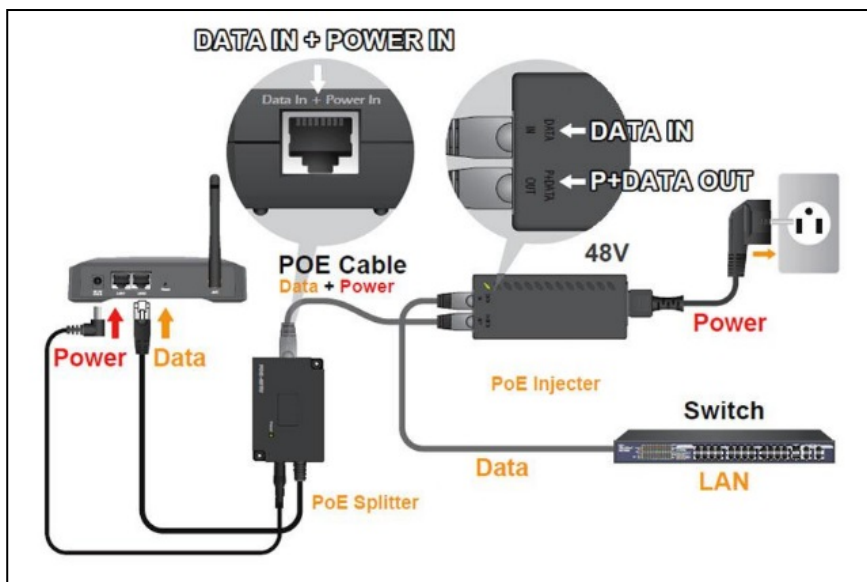
700550 is a single port gigabit POE Mid-spans offer a compact and cost effective, fully IEEE 802.3af compliant solution for remote powering of wireless LAN (WAN) access points, IP Security cameras, VoIP telephone and other low port density installations.

700550 PoE Mid-spans eliminate the need for external power supply and its associated AC/DC power cabling, providing a compact, affordable, safe and reliable power solution over existing Ethernet infrastructure.



Features

- Full IEEE 802.3af Compliant
- Up to 15.4W of Power on 2-pairs
- Auto-detect of POE IEEE 802.3af equipment
- Supports 10/100/1000 Base-T applications
- LED indicators power input indication
- Distance up to 100 meters
- Internal AC/DC converter – no need for external power brick
- Easy plug-and-play installation
- Surge protection
- EMI standards complies with FCC, CE class B



Item	Description
No. of Ports	1
Pass Through Data Rates	10/100/1000 Mbps
Power over Ethernet Output	Pin Assignment and Polarity: 3/6 (+), 1/2 (-) Output Power Voltage: 55Vdc User Port Power: 15.4W
Input Power Requirements	AC Input Voltage: 100 to 240 Vac AC Input Current: 0.2A 100-240 Vac AC Frequency: 50 to 60 Hz
Dimensions	150X65x38mm
Weight	
Indicators	System Indicator: AC Power User Indicator: Channel Power
Connectors	Shielded RJ-45, EIA 568A and 568B
Environmental Conditions	Operating Ambient Temp.: -10 to 45°C Operating Humidity: Max. 90%, Non-condensing Storage Temperature: -20 to 70°C Storage Humidity: Max. 95%, Non-condensing
Reliability	MTBF: 100,000 hrs. @25°C
Regulatory Compliance	IEEE 802.3af (PoE), RoHS Compliant, CE, FCC
Electromagnetic Emission & Immunity	FCC Part15, Class B EN 55022 Class B (Emissions) EN 55024 (Immunity), VCCI
Surge Protection	AC port: 6kV RJ45 port: 4kV
Safety Approvals	UL/cUL Per EN 6095-1 GS Mark Per EN 60950-1

VandalVeto®