

Ports Full Gigabit PoE Switch 4

802.3af/at 6kv Lightning One Key CCTV

700508

VandaVeto®



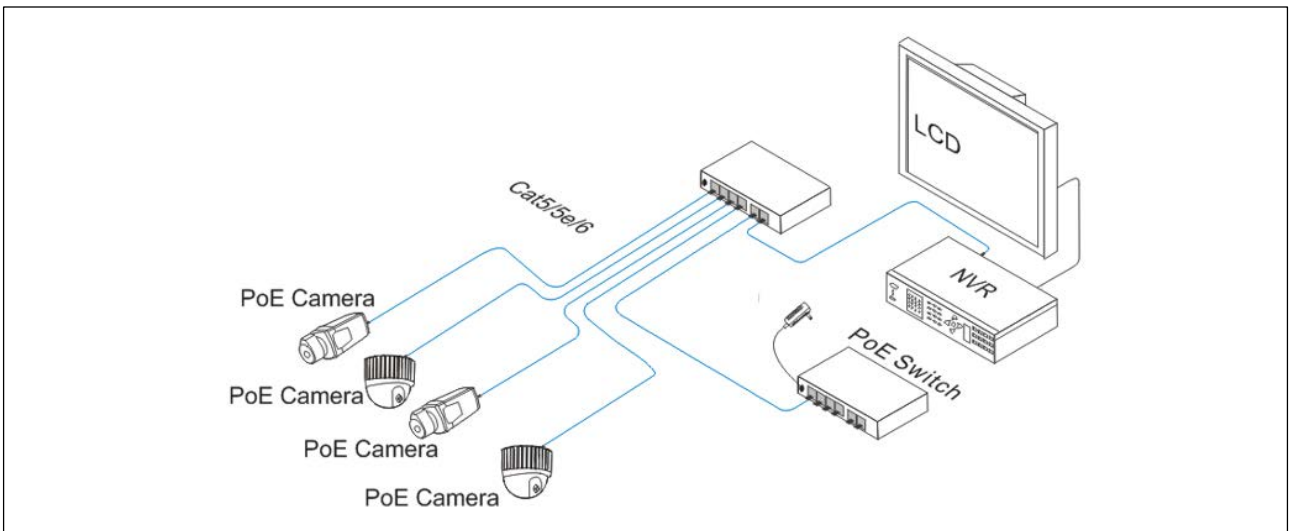
- Main Ports: 4x downlink gigabit PoE Ethernet ports, 2x uplink gigabit Ethernet ports (Especially the fifth port is with PD function, able to PoE power supply for 4x downlink ports);
- Unique Feature: one-key CCTV mode, which can restrain network storm, realize VLAN function and 1~4 downlink ports only able to communicate with uplink ports;
- Standard: IEEE802.3, IEEE802.3u, IEEE 802.3ab, IEEE802.3 af, IEEE802.3at
- Protection: Superior lightning protection (6KV), ESD protection and anti-interference ability;
- Structure: stable and delicate, easy to install;
- Operation: plug and play, no any settings needed



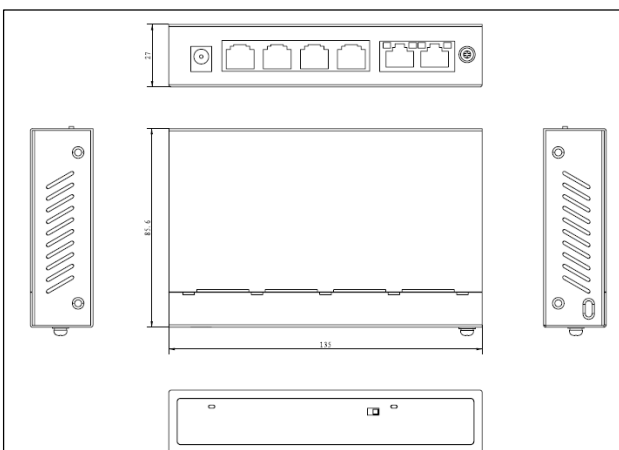
Introduction

The 4 Ports Full Gigabit PoE Switch is specially designed for the application of high definition network security surveillance system. The PoE switch provides 4 Gigabit downlink PoE ports support 802.3at and dual Gigabit uplink ports. The fifth port support Gigabit PD function and the total PoE power output is up to 60 watts. It's widely used in surveillance monitor and Ethernet network solution.

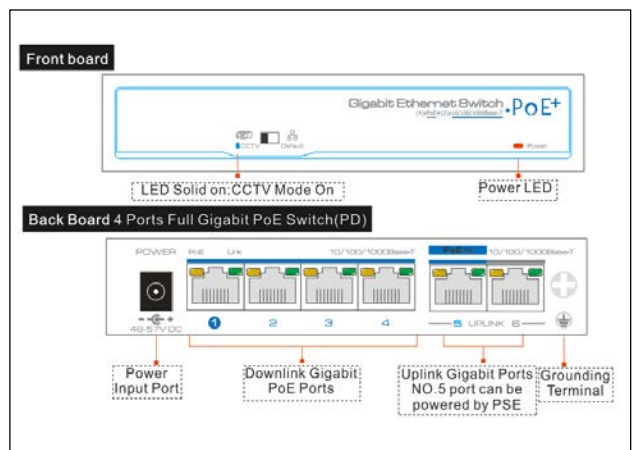
Application



Physical Features



Interface drawing



Specification

Model	
Downstream Ports	4* 10/100/1000Base-T (PoE)
Uplink Ports	2*10/100/1000Base-T (PD)
Network Standard	IEEE802.3、IEEE802.3u、IEEE802.3ab、IEEE802.3 X
Switch Capacity	12Gbps
Throughput	8.93Mpps
Switch Processing Scheme	Store and Forward
Memory Buffer	1M
MAC Table	2K
PoE Standard	802.3af/at(PSE/PD)
PoE Type	End-span
Power Pin Assignment	1/2(+), 3/6(-)
PoE Power Output	54V DC , 30 watts max
PoE Budget	60 watts max
Lightning protection	6KV Execute : IEC61000-4-5
ESD	6KV Contact discharge 8KV Air discharge Execute : IEC61000-4-2
Power Supply	DC 48V~57V
Power Dissipation	<5W
Work temperature	-10°C~45°C
Storage temperature	-40°C~85°C
Humidity(Non-condensin)	5%-95%
Dimension (L×W×H)	135mm×86mm×27mm
Weight	343g
Regulator	CE、FCC、ROHS

VandalVeto®

5Korazin st., Givatayim 53583 Israel
Tel: 972-3-5713004 Fax: 972-3-5711450
www.egber.com egber@egber.com