

STP CAT.6A Keystone Jack #601036

VandalVeto®

Feature

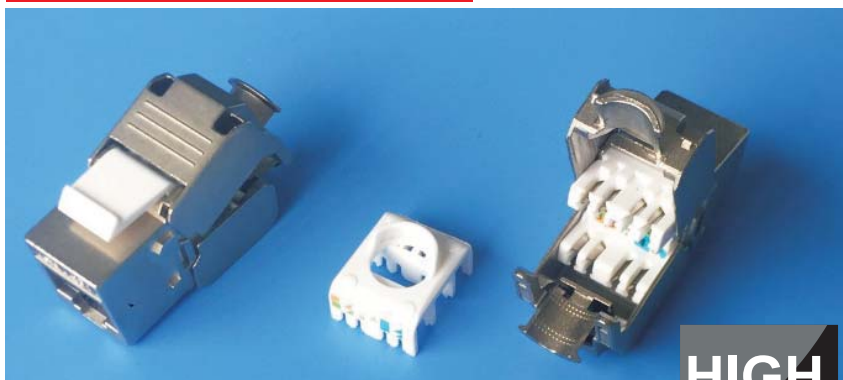
- ✦ RJ45 8P8C JACK
- ✦ CAT6A ISO11801 OR TIA/EIA 568C
- ✦ IDC compatible without using tools
- ✦ Terminating 4 pairs, 22-26 AWG cable
- ✦ Colour coded for T568A and T568B wiring schemes
- ✦ Fits into keystone panel or faceplates

Material

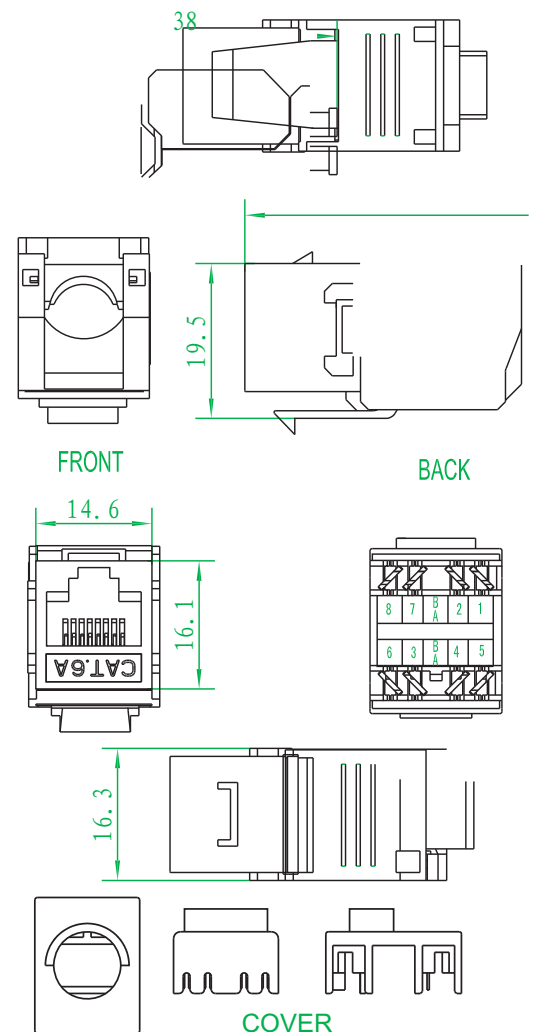
RJ45 Jack Housing	Zinc alloy
RJ45 Jack Contact	Material: Phosphor bronze, Nickel plated. gold plated on plug contact area
IDC Housing	PC
IDC	Terminal: Phosphor bronze, Tin plated
IDC Cap	PC
PCB	FR4, Thickness : 1.6mm

Performance

Wiring specification	T568A&T568B
Insertion force	20N max.
Retention strength	7.7Kg between Jack and Plug
Operating temperature	-10°C to 60°C
Life(mating cycles)	Jack: 750 cycles min
IDC tool	Without using tools



**HIGH
QUALITY
WARRANTY**



VandalVeto®

EGBER ELECTRONICS 2000 Ltd

5Korazin st, 5358305 Givatayim
Tel: 972-3-5713004 Fax: 972-3-5711450
egber@egber.com www.egber.com