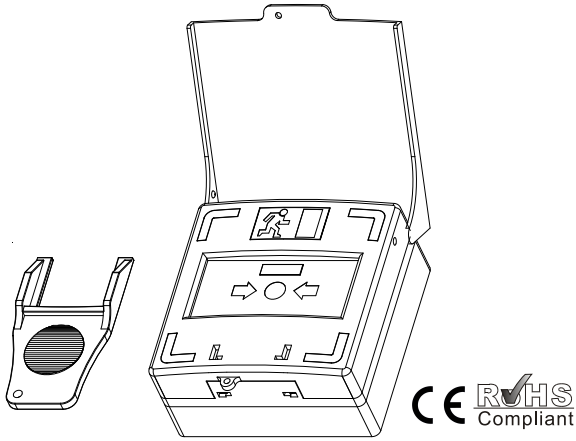


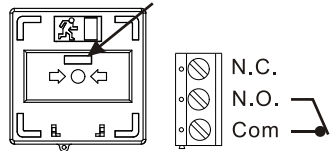
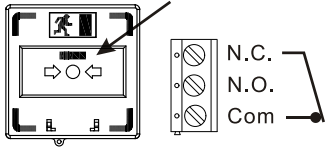
VandalVeto®



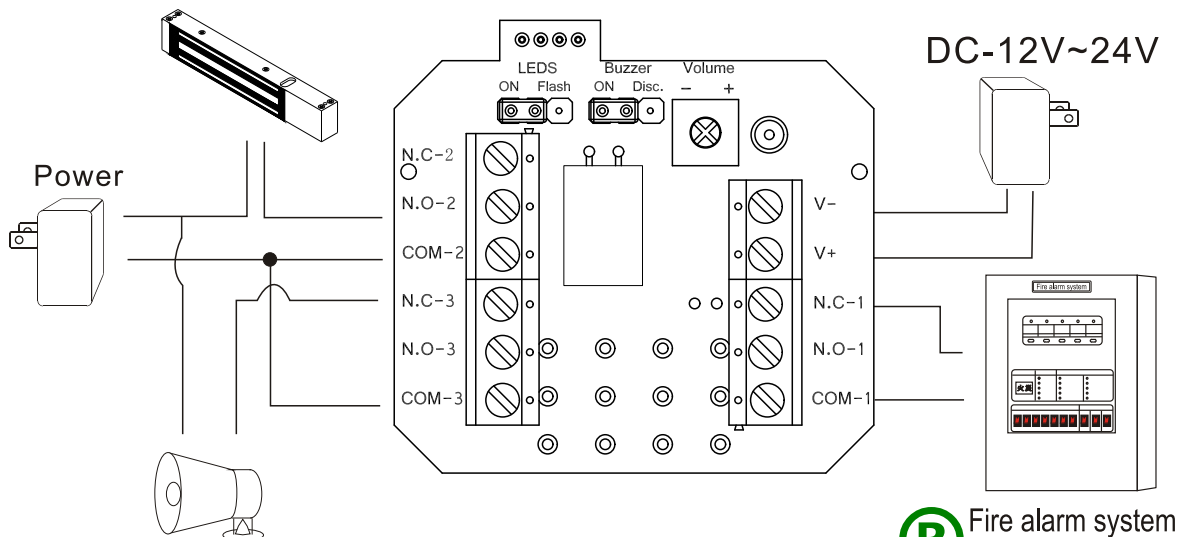
Special features

- Reversionary key with non-slip design.
- With Dual color indicator and buzzer.

- Reversionary design, obvious indicators around the edges of the unit.
- Pressing plate with status (green and red) shown.
- Input power range from DC12-24V to connect with all types of fire alarm system.
- Easy to assemble, outer case without screws, 3 set of output points to connect other equipment, embedded or surface installations to select.

Specification		Status
Power Supply	DC 12V ~ DC24V ±5%	【 Standby 】 Status display : Green
Operation current	DC 12V : 18mA(standby)/75mA(operation) ±5% DC 24V : 11mA(standby)/41mA(operation) ±5%	
Buzzer	Set as silent, interval wailing or continuous wailing	【 Operation 】 Status display : Red
Indicator	Dual-color (red and green) . Red indicator to set blinking , off or on.	
Output	N.O. · N.C.& COM. Output (Maximum load of 125V/3A)	
Material	ABS · PC	
Dimensions	90L × 93W × 45H (mm)	
Weight	208g (included wrapping)	

Structure diagram



VandalVeto® Fire alarm system