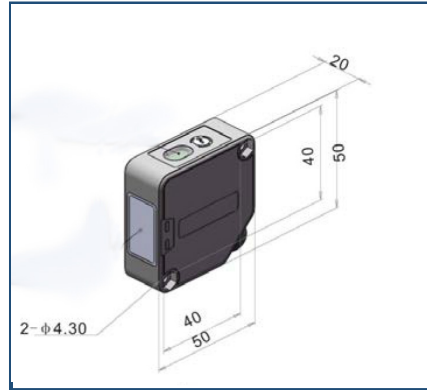
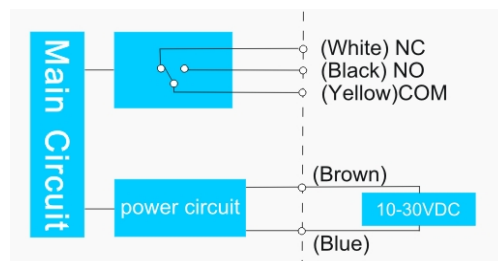


Sensor + Reflector  
Up to 7m



|                     |   |
|---------------------|---|
| Sensing Type        | Retro –Reflective   |
| Sensing Object      | Min Φ60mm opaque object   |
| Sensing Distance    | 0.1 ~ 7m  |
| Supply Voltage      | 10 ~ 30vDC  |
| No-load Voltage     | Max. 60mA   |
| Light Source        | Red Led (wavelength 660nm)  |
| Action Mode         | Selecting Light On Or Dark On via product model   |
| Control Output      | Relay output<br>(Contact rating : 30vDC 1A Resistance load,<br>120vAC, 1A resistance load<br>Contact component : 1C ) |
| Response Time       | Max. 20ms   |
| Circuit Protection  | Reverse polarity protection   |
| Indication Light    | Power indication : Green , Action Indicator : Red   |
| Attend Mode         | Output Cable  |
| Ambient Brightness  | Sulingt : Max.30000 Lux , Fluorescent : Max. 3000 Lux   |
| Ambient Temperature | -20C°~ +65°C (non freezing)   |
| Ambient Humidity    | 35 ~ 86%RH  |
| Material            | Housing : ABB , Lens : PMMA   |
| Protection Rating   | IP67 (IEC)  |
| Cable Standard      | (*2) Ø 5.5x0.2  |
| Accessory           | Bracket : IB02 , Screw : M4*25  |



DC power,relay output

**VandalVeto®**