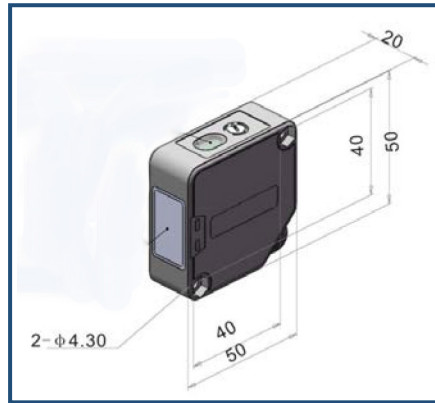
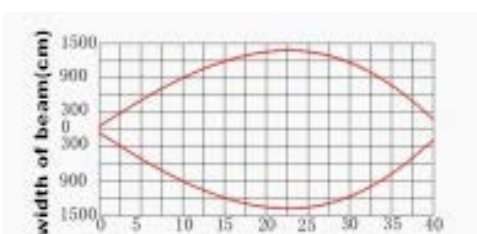


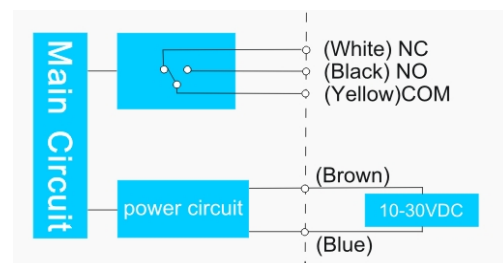
Active Sensor
Up to 25m



Sensing Type	Opposed
Sensing Object	Min. Φ 60mm opaque object
Sensing Distance	25m
Supply Voltage	10 ~ 30v DC
No-Load Voltage	Max. 60mA
Light Source	Infrared Led (modulated)
Action Mode	Selecting Light On Or Dark On vial product model
Control Output	Relay output (contact rating : 30vDC 1A Resistance load, 120vDAC 1A Resistance load Contact component : 1C)
Response Time	Max. 20ms
Circuit Protection	Revers polarity protection
Indication Light	Power indicator : Green , Action Indicator : Red
Attended Mode	Output Cable
Ambient Brightness	Sunlight : max, 30000Lux , Fluorescent : Max, 3000Lux
Ambient Temperature	-20°C ~ +65°C (non freezing)
Ambient Humidity	35 ~ 85%RH
Material	Housing : ABB , Lens : PMMA
Protection Rating	IP67 (IEC)
Cable standard	Emitter : Φ 5.2x0.3 Receiver : Φ 5.5x0.3
Accessory	Bracket : IB02 , Screw : M4*25



Spectra – Sensing Distance



DC power, relay output

VandalVeto®